

B&D
MANUFACTURING
safe efficient solutions

B&D Multi Handler Diesel Powered with MD4

Parts Manual





bdmfg.com

B&D Multi Handler Parts Manual

BLANK

Table of Contents

Main Assembly.....	5
WMH-D, Main Assembly	5
Base Unit	13
WMH-E-0003, Electrical System	13
BD-E-0562, Radio Remote Control System, 2.4GHz	19
BD-M-0111, Engine Kubota, Low Altitude	23
BD-M-0146, Engine Kubota, High Altitude	24
WMH-M-D-B700, Diesel Engine Mount	25
WMH-M-D-B605, Diesel Engine Enclosure, Kubota	27
BD-H-0115, Fuel Tank Assembly	29
WMH-M-D000, Catwalk & Handrail Assembly.....	31
WMH-M-D100, Handrail Assembly.....	33
WMH-M-D000, Catwalk Bolt on.....	35
WMH-M-C000, Strut Assembly – Right Front.....	37
WMH-M-C001, Strut Assembly – Left Front	41
WMH-M-C002, Strut Assembly – Rear Centre	45
WMH-M-F000, Wheel Assembly	49
WMH-M-B3000, WMH-Cross Slide	51
BD-H-0005-ASS'Y, Hydraulic Tank	55
BDS-0110, Hydraulic System	57
B&D-WMH-D-HKIT, Hydraulic Hose Kit	63



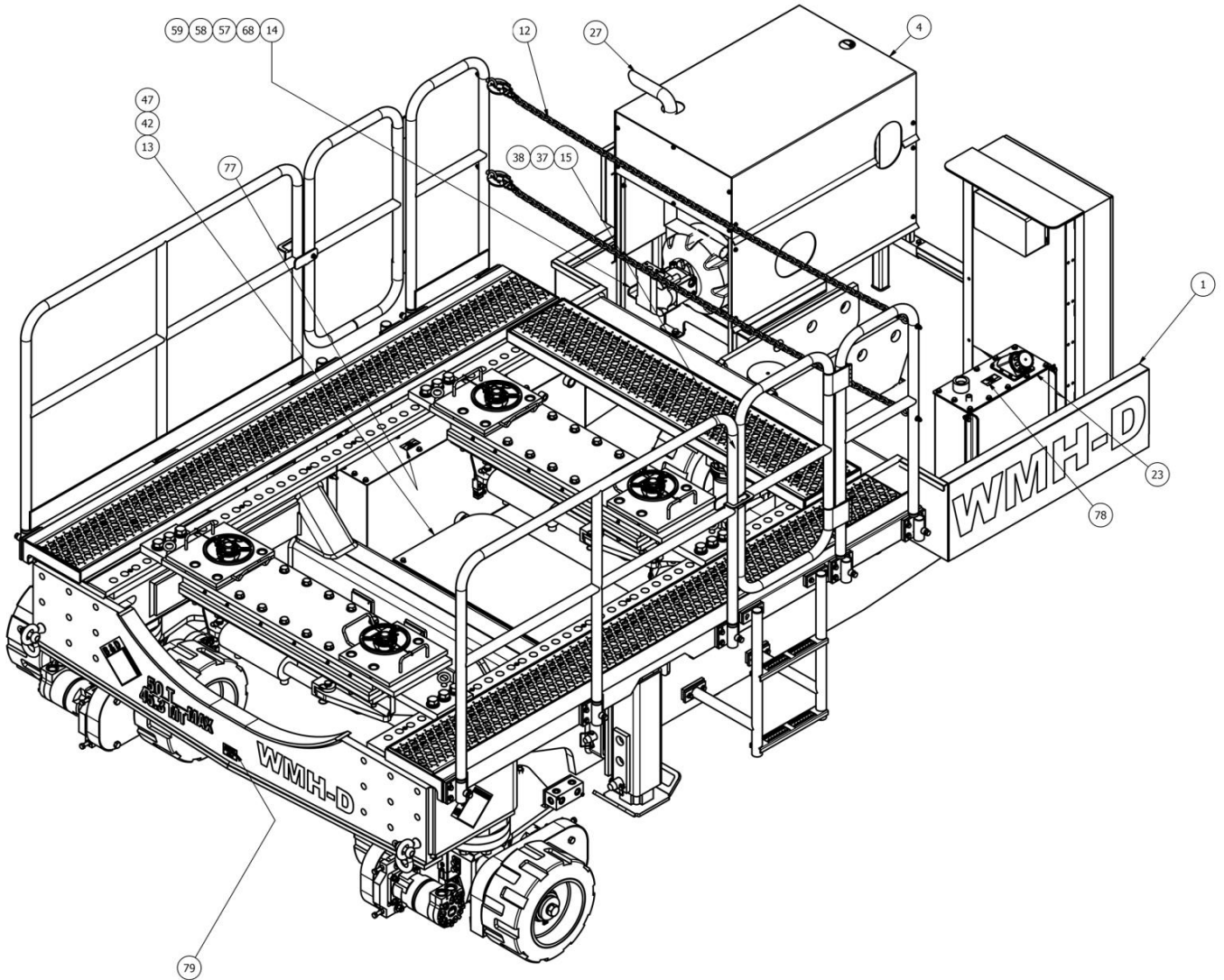
bdmfg.com

B&D Multi Handler Parts Manual

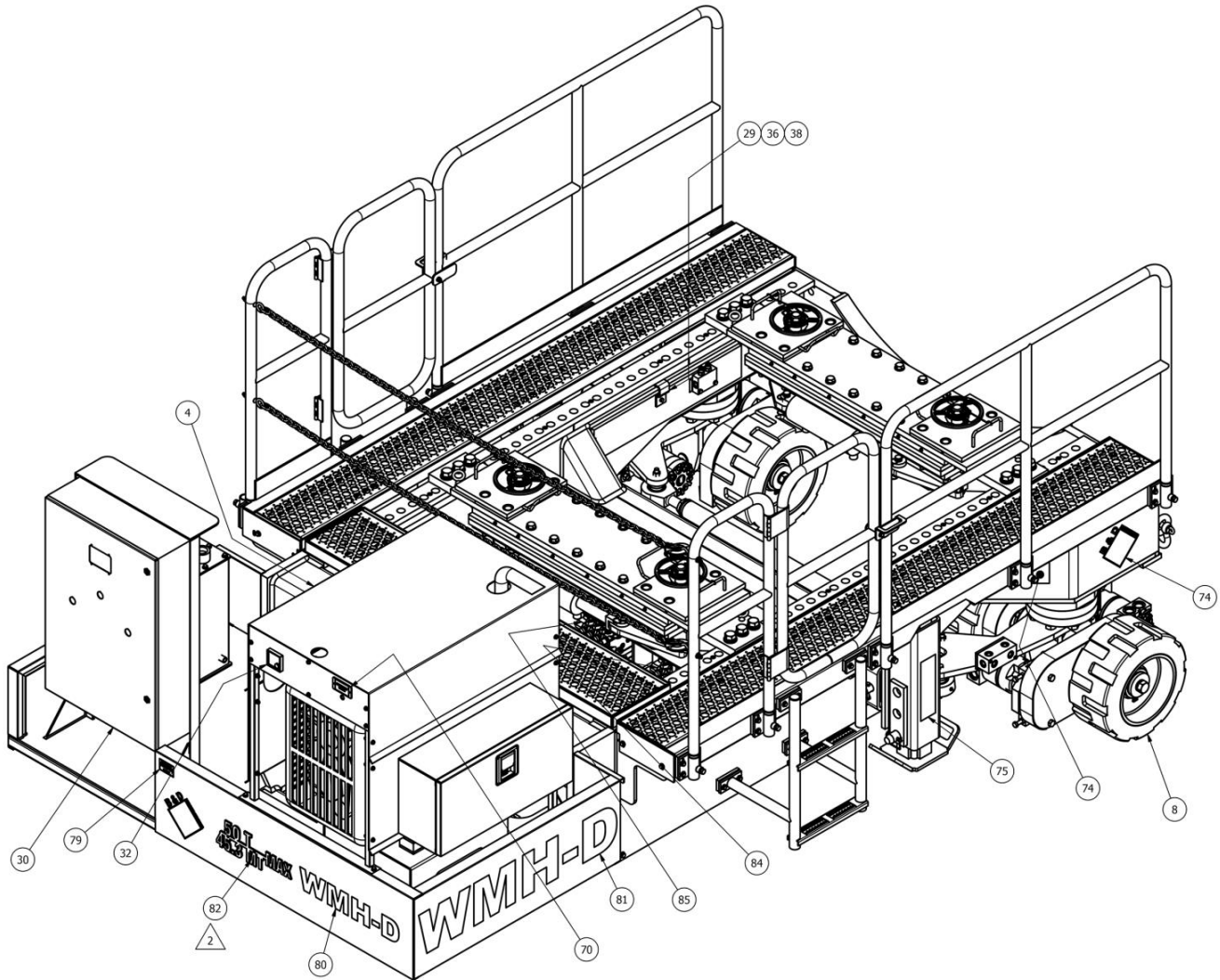
BLANK

Main Assembly

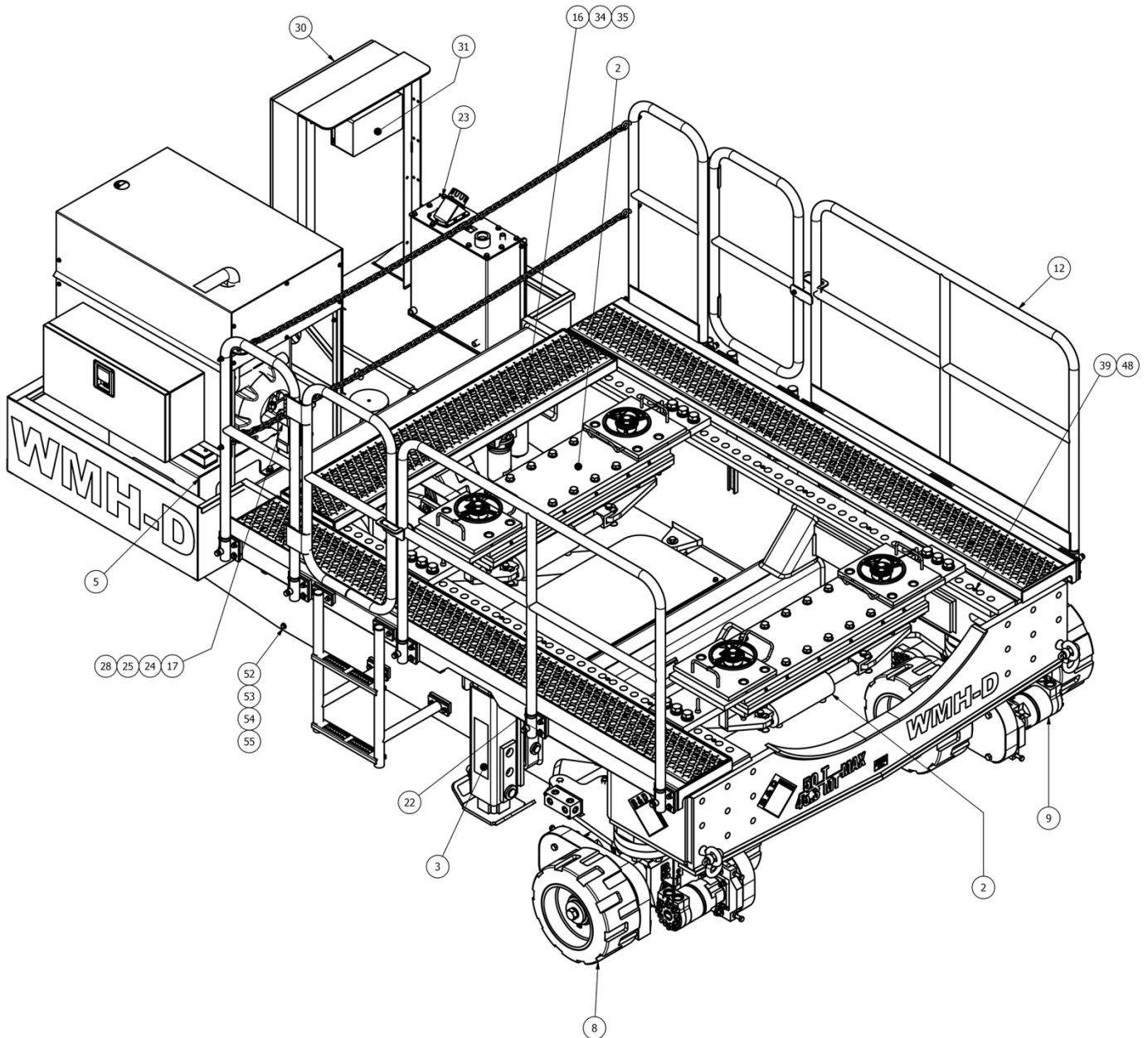
WMH-D, Main Assembly



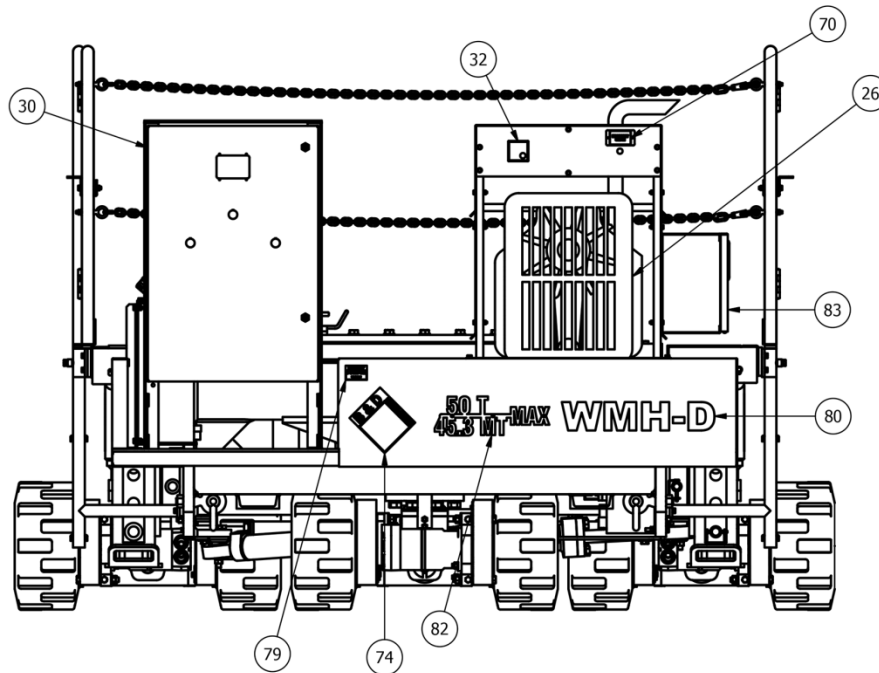
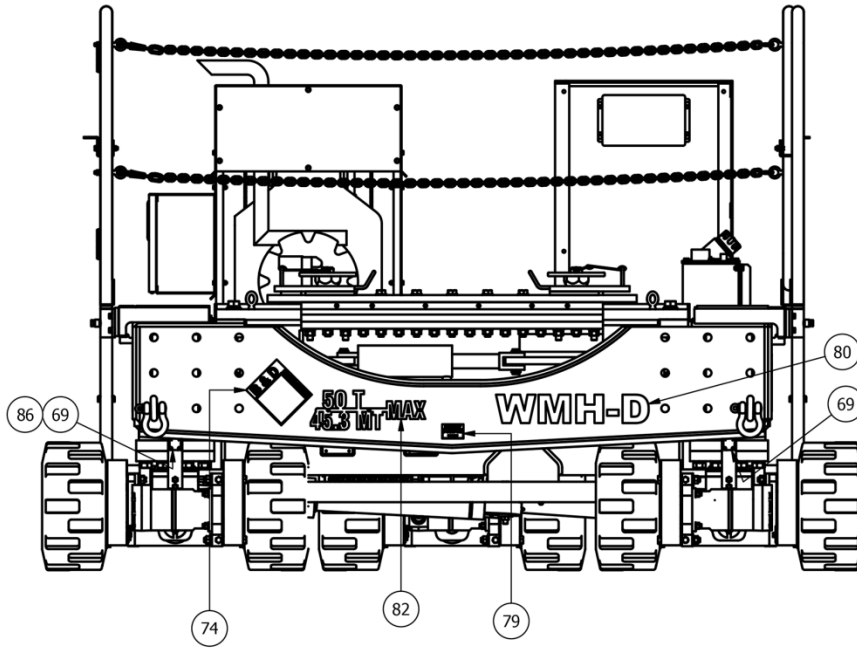
WMH-D, Main Assembly



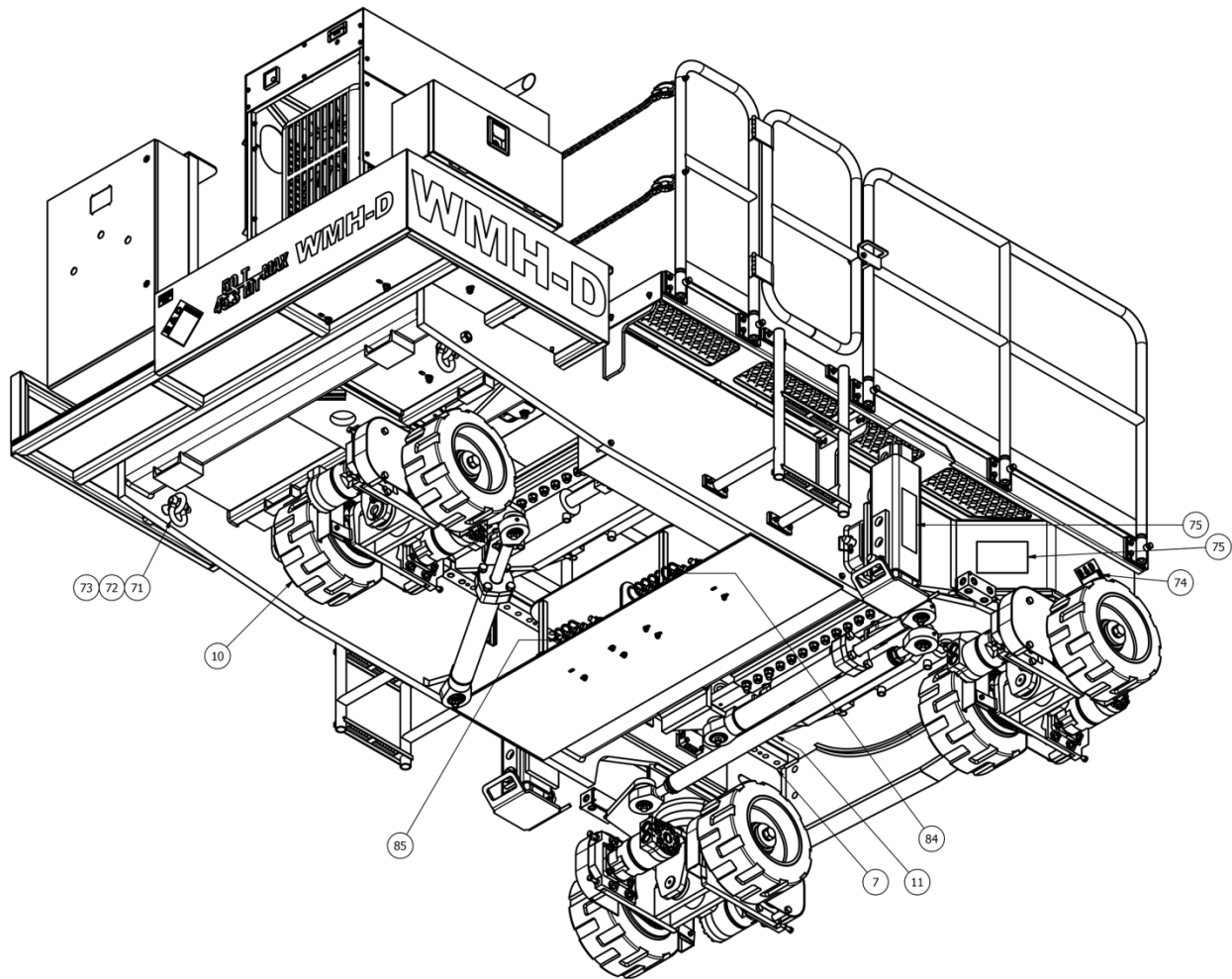
WMH-D, Main Assembly



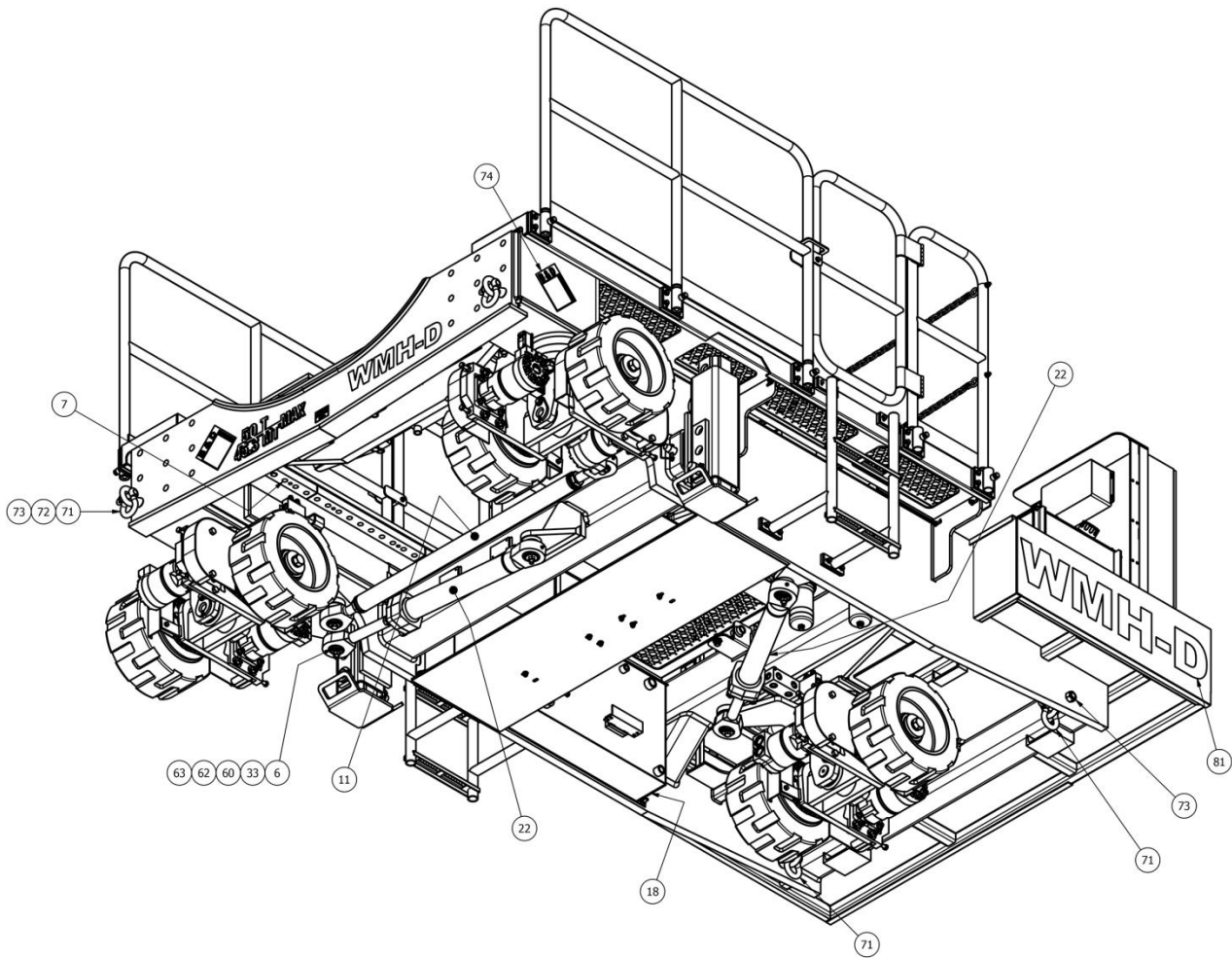
WMH-D, Main Assembly



WMH-D, Main Assembly



WMH-D, Main Assembly



WMH-D, Main Assembly

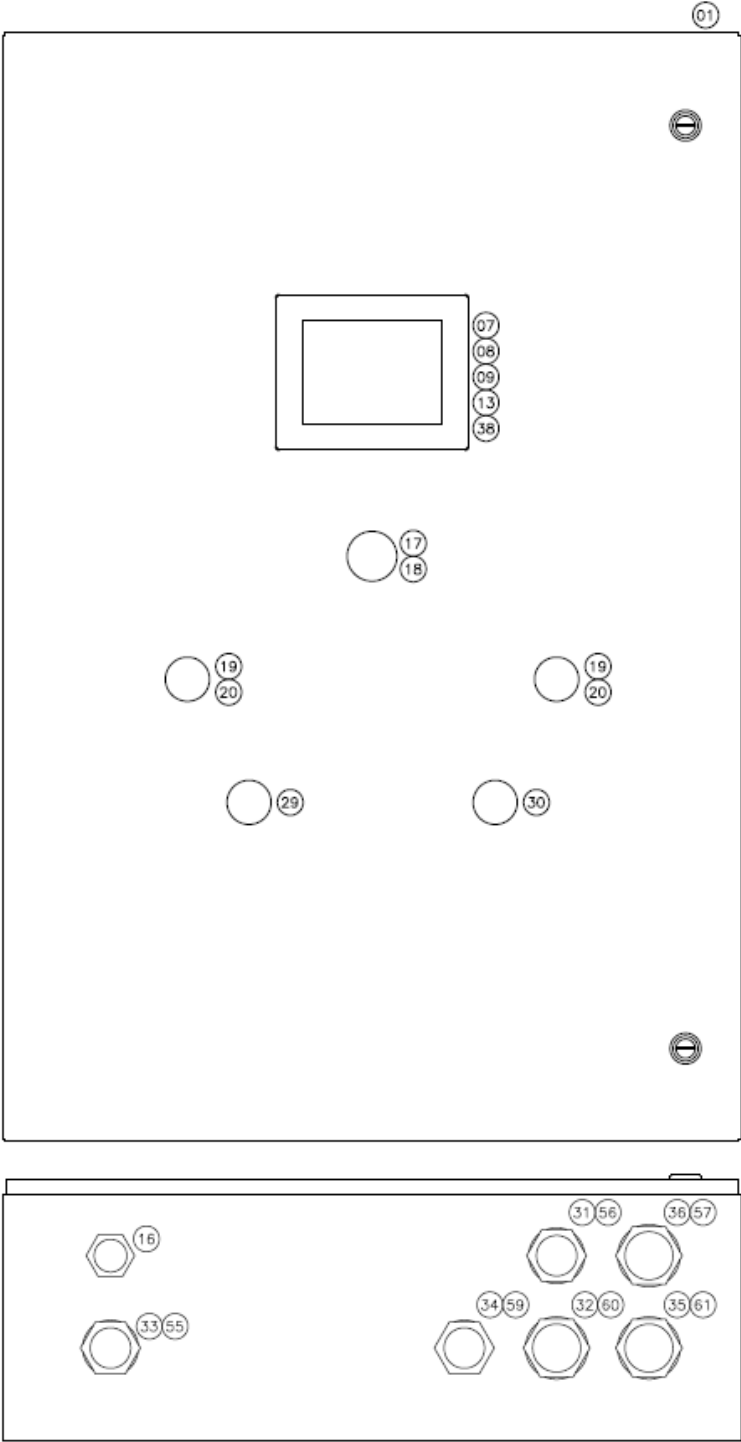
Item	Qty	Part Number	Description
1	1	WMH-M-D-B002	MAIN FRAME C/W REAR ENCLOSURE
2	2	WMH-M-B3000	CROSS SLIDE ASSEMBLY
3	2	WMH-M-B200	OUTRIGGER ASSEMBLY
4	1	WMH-M-D-B600 WMH-M-D-B605	ENGINE HOUSING ENGINE HOUSING, KUBOTA
5	1	WMH-M-B710	MOTOR MOUNT
6	6	WMH-M-C314	CLAMP WASHER
7	8	WMH-M-B2010	LEDGER BAR
8	1	WMH-M-C000	STEERING/STRUT ASSEMBLY-RIGHT HAND
9	1	WMH-M-C001	STEERING/STRUT ASSEMBLY-LEFT HAND
10	1	WMH-M-C002	STEERING/STRUT ASSEMBLY-REAR CENTRE
11	1	WMH-M-C400	ADJUSTABLE TIE ROD
12	1	WMH-M-D000	CATWALK – HANDRAIL COMPLETE
13	1	WMH-M-G700	HYDRAULIC VALVE COVER
14	1	WMH-M-D-D800	BATTERY MOUNT PLATE
15	1	BD-H-0729	RETURN FILTER
16	1	BD-H-0636	PRESSURE FILTER
17	1	BD-H-0004	HYDRAULIC PUMP - STANDARD ALTITUDE *** FOR HIGH ALTITUDE SEE ITEM 87
18	1	BD-H-0005-ASS'Y	HYDRAULIC TANK ASSEMBLY
19	3	BD-H-0019	DOUBLE CARTRIDGE BODY
20	3	BD-H-0020	SINGLE CARTRIDGE BODY
21	9	BD-H-0021	CARTRIDGE VALVE
22	2	BD-H-0109-000	HYDRAULIC STEERING CYLINDER
23	1	BD-H-0115	FUEL TANK
24	1	BD-M-0005	COUPLING INSERT
25	1	BD-M-0006	MOTOR COUPLING
26	1	BD-M-0111	DIESEL ENGINE – STANDARD ALTITUDE *** FOR HIGH ALTITUDE SEE ITEM 88
27	1	BD-M-0020	EXHAUST PIPE
28	1	BD-M-0070	PUMP COUPLING
29	2	BD-M-0100	HOSE BRACKET
30	1	WMH-E-0003	ELECTRICAL ENCLOSURE
31	1	BD-E-0562	RADIO REMOTE CONTROL SYSTEM
32	1	BD-E-0144	DIESEL MICRO CONTROL PANEL
33	6		DOWEL PIN ¼ X ¾" LG
34	4		HEX BOLT, M10 X 1.5 X 16 MM LG
35	4		LOCK WASHER, M10
36	2		HEX BOLT, 5/16 X 1" LG NC ZINC PLATED
37	4		HEX BOLT, 5/16 X ½" LG NC
38	6		LOCK WASHER, 5/16
39	16		SOCKET HEAD CAP SCREW, 3/8 X 1 ¾" LG NC
40	1		HEX BOLT, 3/8 X ¾" LG
41	15		HEX BOLT, 3/8 X 1 ¼" LG NC
42	6		HEX BOLT, 3/8 X 1" LG NC
43	5		LOCK WASHER, 3/8
44	8		HEX BOLT, 3/8 X 1 ½" LG
45	6		HEX BOLT, 3/8 X 1 ¾" LG



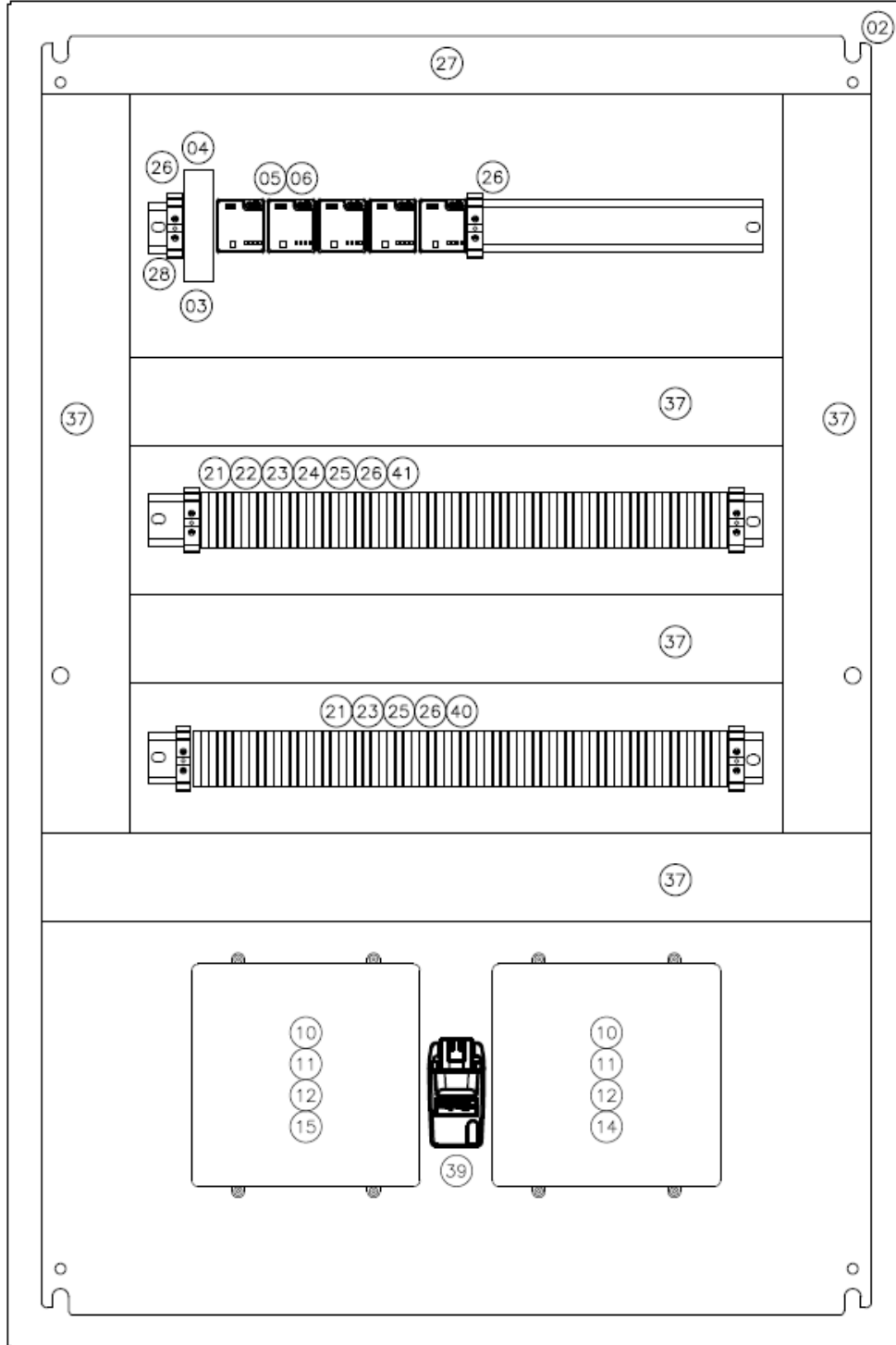
46	2		HEX BOLT, 3/8 X 3" LG
47	50		LOCK WASHER, 3/8
48	16		LOCK WASHER HIGH COLLAR, 3/8
49	2		FLAT WASHER, WIDE 3/8
50	36		FLAT WASHER, 3/8
51	20		HEX NUT, 3/8 NC
52	4		HEX BOLT, 7/16 X 3" LG NC
53	8		FLAT WASHER, 7/16
54	4		LOCK WASHER, 7/16
55	4		HEX NUT, 7/16 NC
56	4		HEX BOLT, 1/2 X 1 3/4 LG NC
57	10		FLAT WASHER, 1/2
58	6		LOCK WASHER, 1/2
59	6		HEX NUT, 1/2 NC
60	6		HEX BOLT, 5/8-11 X 5 1/2 LG UNC
61	12		FLAT WASHER, 5/8 WIDE
62	6		LOCK WASHER, 5/8
63	6		HEX NUT, 5/8
64	4		HEX BOLT, 1 X 3 1/4 LG
65	24		HEX BOLT, 1 X 4 1/2 LG
66	4		FLAT WASHER, 1
67	28		LOCK WASHER, 1
68	2		FLAT HEAD COUNTER SUNK HEAD SCREW
69	3	BD-E-0116	STRUT POSITION LIMIT SWITCH
70	1	BD-E-0048	DISCONNECT SWITCH
71	4		SHACKLE 7/8"
72	4		1" SHOULDER EYE BOLT
73	4		HEX NUT, 1" NC
74	4	B&D DECAL 6"x7"	B&D MANUFACTURING LOGO
75	2	BD-D-0029	DECAL 11 X 3
76	2	BD-D-0024	DECAL 6 X 8
77	1	BD-D-0003	HYDRAULIC FLUID ONLY DECAL
78	1	BD-D-0004	FUEL ONLY DECAL
79	2	BD-D-0005	DO NOT PUSH OR TOW DECAL
80	2	BD-D-0010	WMH-D – DECAL – SMALL
81	2	BD-D-0011	WMH-D – DECAL – LARGE
82	2	BD-M-0143	50 TON CAPACITY SIGNAGE
83			
84	1	BD-H-0731	DIRECTIONAL VALVE – 7 SPOOL
85	1	BD-H-0730	DIRECTIONAL VALVE – 3 SPOOL
86	3	BD-E-0215	STRAIN RELIEF
87	1	BD-H-0085	HYDRAULIC PUMP - HIGH ALTITUDE *** FOR STANDARD ALTITUDE SEE ITEM 17
88	1	BD-M-0146	DIESEL ENGINE – STANDARD ALTITUDE *** FOR STANDARD ALTITUDE SEE ITEM 26
89		BD-H-0729-E	REPLACEMENT RETURN FILTER ELEMENT
90		BD-H-0636-E	REPLACEMENT PRESSURE FILTER ELEMENT
91		BD-H-0735	REPLACEMENT PF SOLENOID – VALVE ASSEMBLY

Base Unit

WMH-E-0003, Electrical System



WMH-E-0003, Electrical System



WMH-E-0003, Electrical System





WMH-E-0003, Electrical System

Item	Qty	Part Number	Description
1	1	BD-E-0463	ENCLOSURE, 36"H X 24"W X 8"D
2	1	BD-E-0464	MOUNTING PANEL, 36"H X 24"W
3	1	BD-E-0147	FUSE,600V 10A CLASS CC TIME DELAY
4	1	BD-E-0080	FUSE HOLDER, 1 POLE 30A CLASS CC
5	1	BD-E-0118	CONTROL RELAY, 12VDC 2 POLE
6	5	BD-E-0120	RELAY BASE, 2 POLE
7	5	BD-E-0597	PRE-PROGRAMMED MD4 FOR WMH-D
8	1	BD-E-0007	CABLE C1, MASTER DISPLAY
9	1	BD-E-0008	CABLE C2, MASTER DISPLAY
10	2	BD-E-0591	EXPANSION MODULE, IQAN-XC43
11	2	BD-E-0592	CABLE, C1 66 PIN 2.5M
12	2	BD-E-0593	CABLE, C2 73 PIN 2.5M
13	1	BD-E-0590	ADDRESS TAG 0 DEUTSCH DTM
14	1	BD-E-0589	ADDRESS TAG 0T MOLEX MX64
15	1	BD-E-0595	ADDRESS TAG 1T MOLEX MX64
16	1	BD-E-0588	PNL MOUNT ENET CBL 1.5M
17	1	BD-E-0446	PUSH BUTTON, 2 POSITION MAINTAIN
18	1	BD-E-0027	CONTACT BLOCK, NC
19	2	BD-E-0069	SELECTOR SWITCH, 2 POSITION MAINTAIN
20	3	BD-E-0028	CONTACT BLOCK, NO
21	135	BD-E-0567	TERMINAL BLOCK, ZDU 2.5
22	1	BD-E-0572	JUMPER, 10 POLE FOR ZDU 2.5
23	25	BD-E-0568	JUMPER, 2 POLE FOR ZDU 2.5
24	2	BD-E-0571	JUMPER, 5 POLE FOR ZDU 2.5
25	2	BD-E-0573	END CAP, FOR ZDU 2.5
26	6	BD-E-0198	END STOP, BAM2
27	6'	BD-E-0311	WIRING DUCT & COVER, 40MM X 80MM
28	6'	BD-E-0312	DIN MOUNTING RAIL, 6FT
29	1	BD-E-0085	PUSHBUTTON, FLUSH GREEN W/NO CONTACT
30	1	BD-E-0126	INDICATOR LIGHT, AMBER LENS 24VDC
31	1	BD-E-0156-B	RECEPTACLE HARNESS #10, WMH
32	1	BD-E-0155-B	RECEPTACLE HARNESS #9, WMH
33	1	BD-E-0136-B	RECEPTACLE HARNESS #5, WMH
34	1	BD-E-0134-B	RECEPTACLE HARNESS #3, WMH
35	1	BD-E-0133-B	RECEPTACLE HARNESS #2, WMH
36	1	BD-E-0132-B	RECEPTACLE HARNESS #1, WMH
37	12FT'	BD-E-0434	WIRING DUCT & COVER, 60MM X 80MM
38	1	BD-E-0594	IQAN-MD4-5 GASKET
39	1	BD-E-0600	IQAN-G1(x) BLUETOOTH DONGLE
40	1	BD-E-0032	RESISTOR, 120 ohm TERMINATION
41	1	BD-E-0569	JUMPER, 3 POLE FOR ZDU 2.5
46	1	BD-E-0051	BATTERY, 12VDC
47	1	BD-E-00152	BATTERY BOX, LARGE
48	1	BD-E-0048	LOCKOUT SWITCH
49	1	BD-E-0144	LOFA CONTROL PANEL
50	1	BD-M-0194	DIESEL ENGINE ELECTRICAL HARNESS
51	3	BD-E-0116	STRUT POSITION LIMIT SWITCH

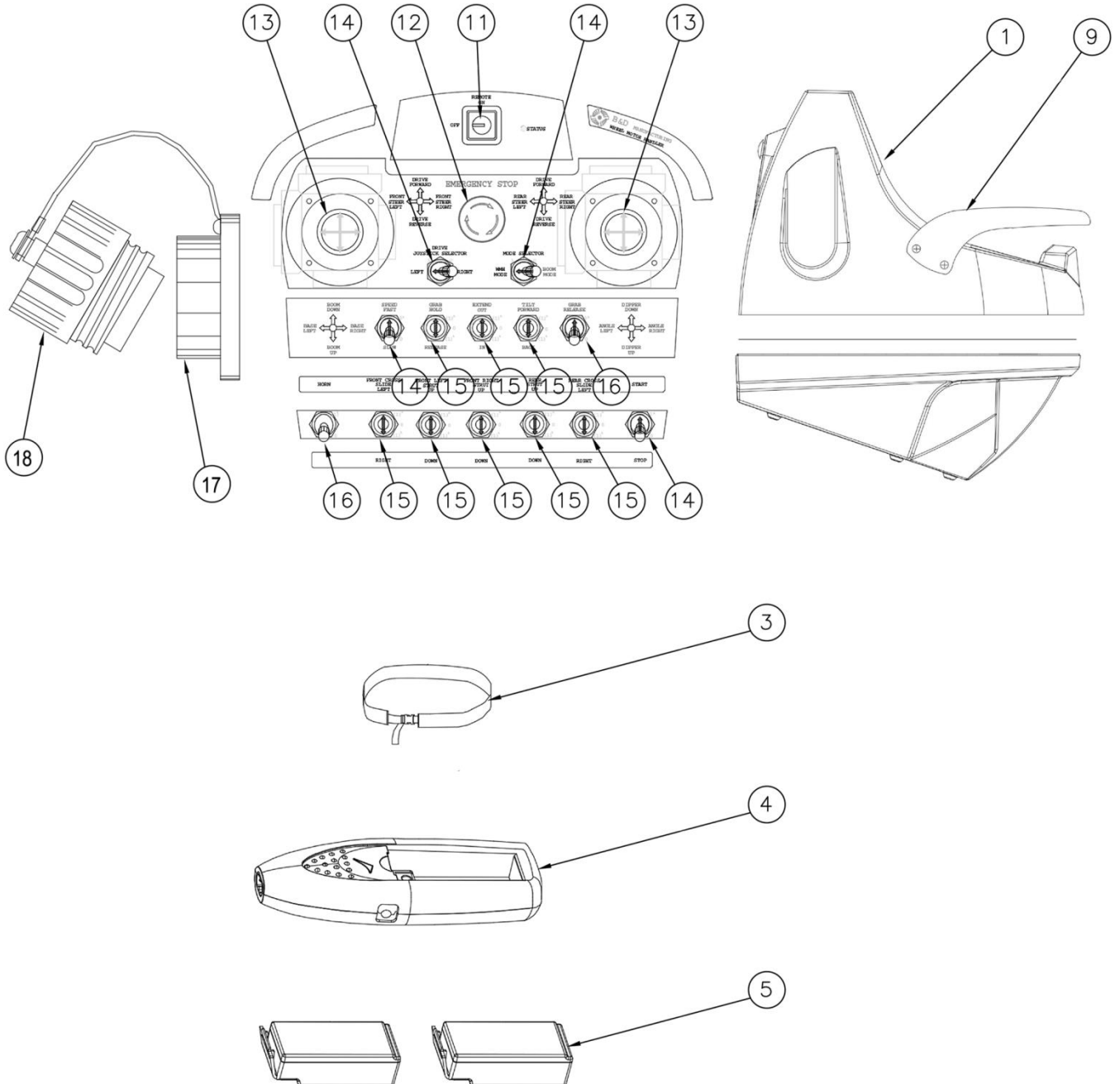


Item	Qty	Part Number	Description
52	1	BD-E-0003	HORN
53	1	BD-E-0004	MOTION BEEPER
54	1	BD-E-0459	KEY, IGNITION SWITCH FOR LOFA CONTROLLER
55	1	BD-E-0136-A	MAIN HARNESS #5, WMH
56	1	BD-E-0156-A	MAIN HARNESS #10, WMH
57	1	BD-E-0132-A	MAIN HARNESS #1, WMH
59	1	BD-E-0134-A	MAIN HARNESS #3, WMH
60	1	BD-E-0155-A	INTERCONNECT HARNESS #9, WMH
61	1	BD-E-0133-A	MAIN HARNESS #2, WMH
		BD-E-0157-A	CABLE 1, WMH ENGINE BATTERY
		BD-E-0157-B	CABLE 2, WMH ENGINE BATTERY
		BD-E-0157-C	CABLE 3, WMH ENGINE

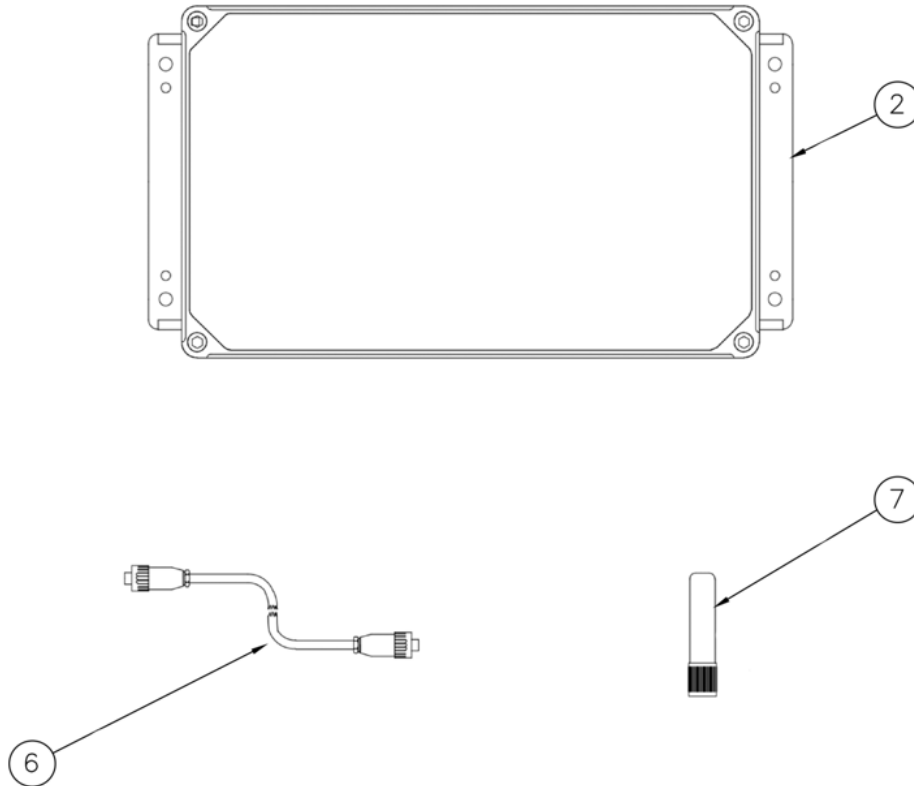


BLANK

BD-E-0562, Radio Remote Control System, 2.4GHz



BD-E-0562, Radio Remote Control System, 2.4GHz



BD-E-0562, Radio Remote Control System, 2.4GHz

Item	Qty	Part Number	Description
1	1	BD-E-0563	RADIO REM TERM WMH 2.4GHz
2	1	BD-E-0564	BASE UNIT, WMH 2.4GHz
3	1	BD-E-0161	WAIST BELT, MC-3-6 REMOTE
4	1	BD-E-0026	BATTERY CHARGER
5	2	BD-E-0025	RECHARGEABLE BATTERY
6	1	BD-E-0128	BACKUP CABLE, 20M
7	1	BD-E-0024	ANTENNA, MINIFLEX
9	1	BD-E-0163	PROTECT HANDLE, REMOTE
10	1	BD-E-0160	RECEPTACLE COVER, RADIO REMOTE
11	2	BD-E-0232	KEY, MC3-6 REMOTE, NEW STYLE
12	1	BD-E-0233	E-STOP PB, RADIO REMOTE
13	2	BD-E-0213	REMOTE, JOYSTICK V14 STEPLESS
14	5	BD-E-0234	TOGGLE SWITCH, 2 POSITION MAINTAIN , W/ RUBBER BOOT
15	8	BD-E-0235	TOGGLE SWITCH, 3 POSITION MOMENTARY , W/ RUBBER BOOT
16	1	BD-E-0236	TOGGLE SWITCH, 2 POSITION SPRING RETURN , W/ RUBBER BOOT
17	1	BD-E-0159	RECEPTACLE, FEMALE RADIO REMOTE
18	1	BD-E-0160	RECEPTACLE COVER, RADIO REMOTE

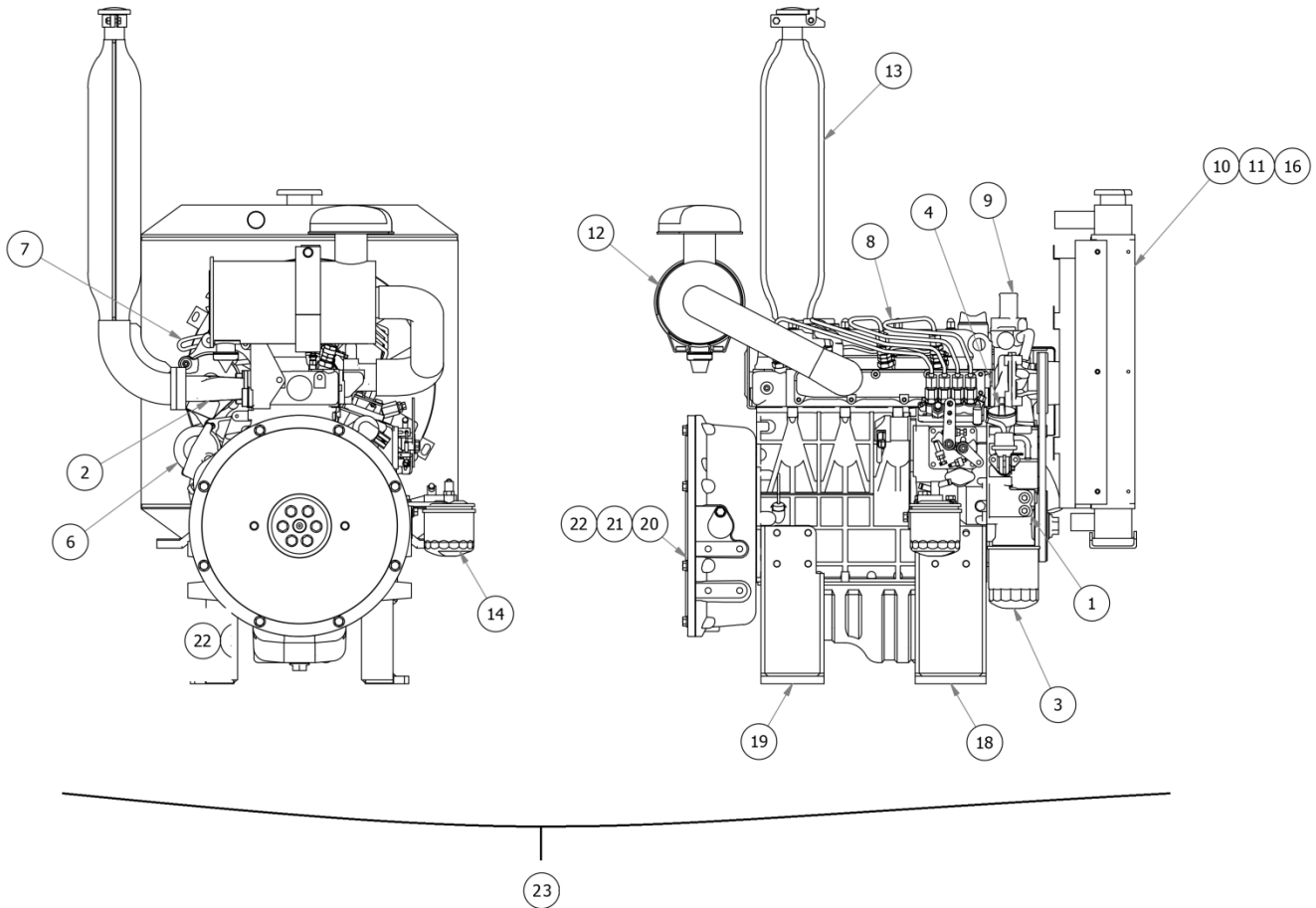


bdmfg.com

B&D Multi Handler Parts Manual

BLANK

BD-M-0111, Engine Kubota, Low Altitude



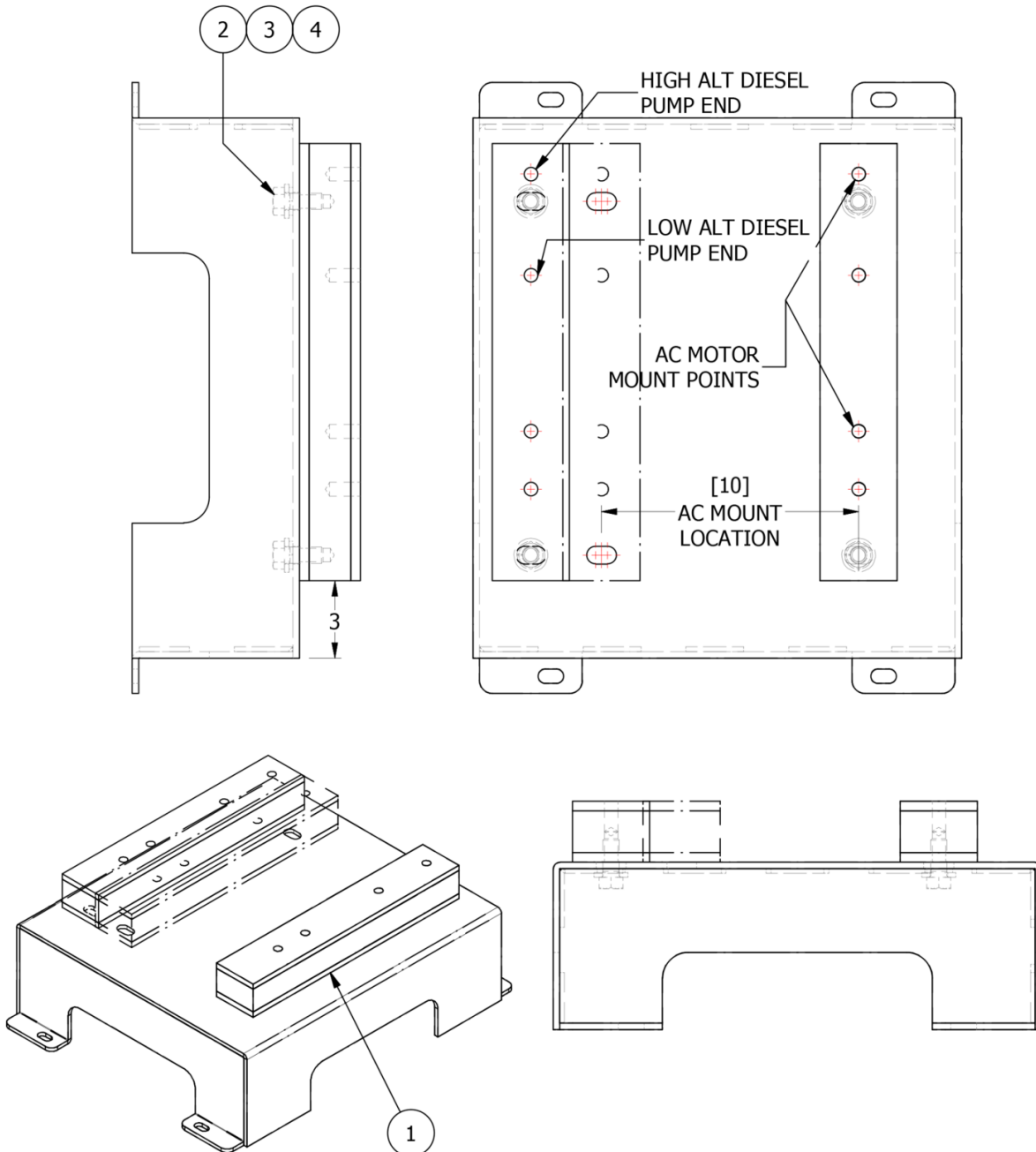
**BD-M-0111, Engine Kubota, Low Altitude**

Item	Qty	Part Number	Description
1	1	BD-M-0169	WATER PUMP
2	1	BD-M-0170	EXHAUST-MANIFOLD
3	1	BD-M-0171	OIL FILTER
4	1	BD-M-0172	OIL DIPSTICK
5	1	BD-M-0173	FUEL TRANSFER PUMP, WITH PRIMER
6	1	BD-M-0174	STARTER
7	1	BD-M-0175	ALTERNATOR
8	1	BD-M-0176	GLOW PLUG
9	1	BD-M-0177	THERMOSTAT
10	1	BD-M-0178	COOLING FAN
11	1	BD-M-0179	BELT, FAN
12	1	BD-M-0180	AIR FILTER
13	1	BD-M-0181	MUFFLER KIT
14	1	BD-M-0182	FUEL FILTER
15	1	BD-M-0183	PRE-FUEL FILTER/SEDIMENTER
16	1	BD-M-0184	RADIATOR KIT
18	2	BD-M-0152	FRONT KUBOTA MOUNT BRACKET
19	2	BD-M-0153	REAR KUBOTA MOUNT BRACKET
20			
21			
22			
23	REF	BD-M-0111	DIESEL ENGINE ASSEMBLY,KUBOTA, LOW ALTITUDE
24	1	BD-E-0219	EXTENSION HARNESS 96"

BD-M-0146, Engine Kubota, High Altitude

Item	Qty	Part Number	Description
3	1	BD-M-0225	OIL FILTER
6	1	BD-M-0366	STARTER
12	1	BD-M-0224	AIR FILTER
14	1	BD-M-0223	FUEL FILTER
18	1	BD-M-0247	MOTOR MOUNT – FRONT LEFT
	1	BD-M-0248	MOTOR MOUNT – FRONT RIGHT
19	1	BD-M-0249	MOTOR MOUNT – REAR LEFT
	1	BD-M-0250	MOTOR MOUNT – REAR RIGHT
23	REF	BD-M-0146	DIESEL ENGINE ASSEMBLY,KUBOTA, HIGH ALTITUDE
24	1	BD-E-0219	EXTENSION HARNESS 96"

WMH-M-D-B700, Diesel Engine Mount

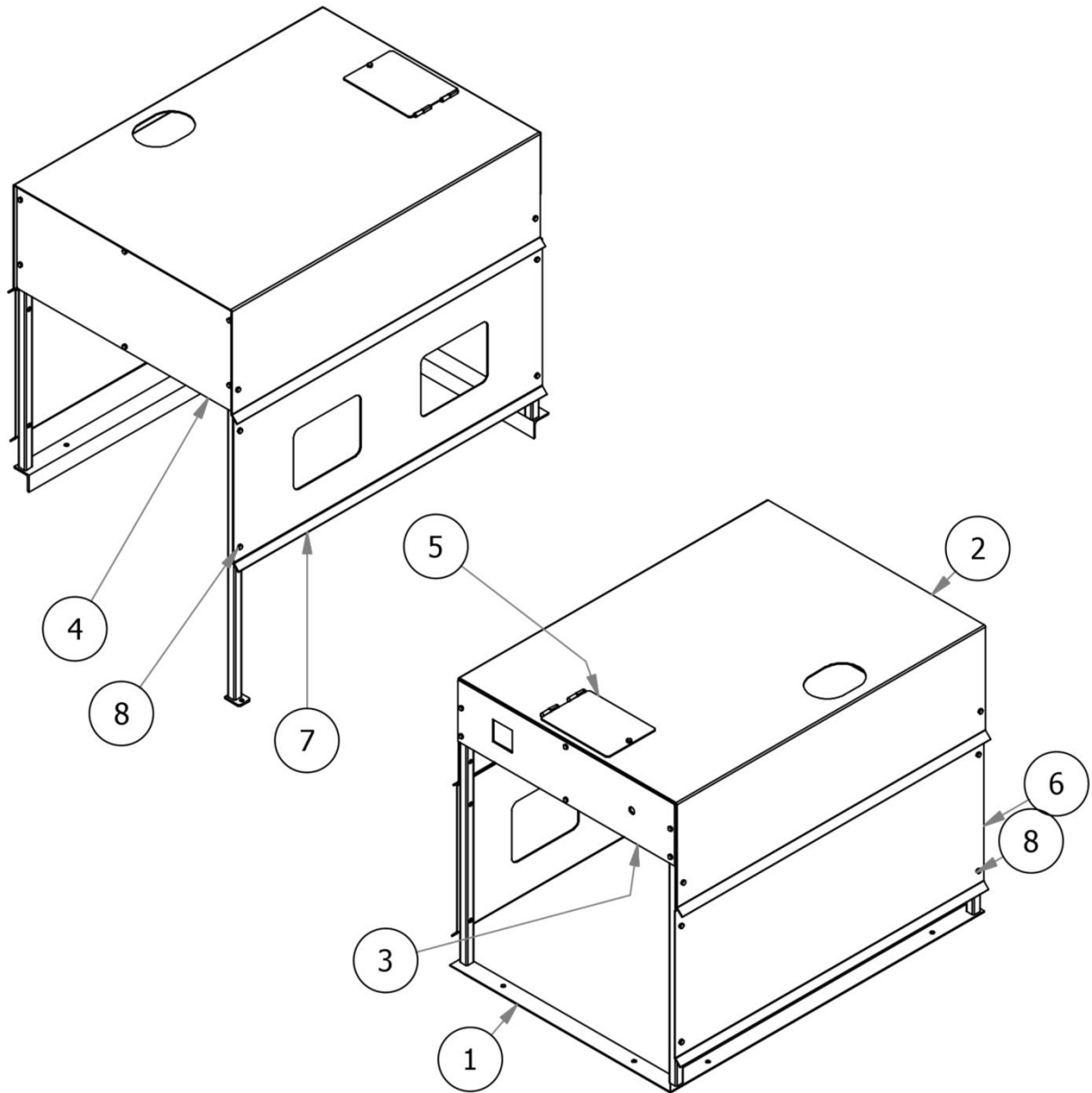




WMH-M-D-B700, Diesel Engine Mount

Item	Qty	Part Number	Description
1	2	BD-M-0072	VIBRATION BAR
	2	BD-M-0156	VIBRATION BAR KUBOTA
2	4		HEX BOLT, 5/8" X 1 1/2" LG NC GR.8 ZP
3	4		LOCK WASHER, 5/8
4	4		FLAT WASKER, 5/8
5	1	WMH-M-D-B710	ENGINE MOUNT BASE

WMH-M-D-B605, Diesel Engine Enclosure, Kubota

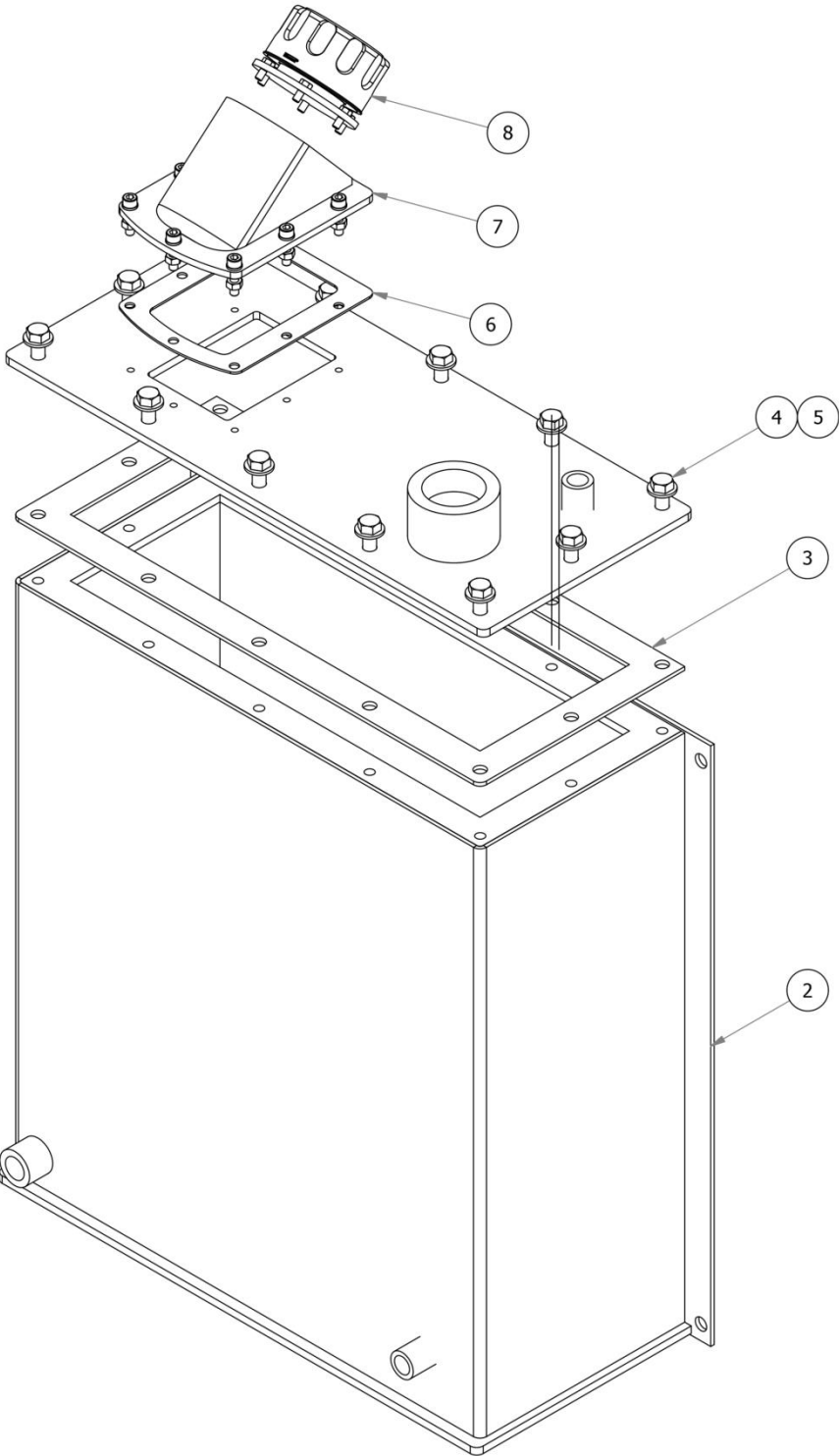




WMH-M-D-B605, Diesel Engine Enclosure, Kubota

Item	Qty	Part Number	Description
1	1	WMH-M-D-B606	ENGINE COVER FRAME KUBOTA
2	1	WMH-M-D-B633	TREAD PLATE
3	1	WMH-M-D-B634	TREAD PLATE
4	1	WMH-M-D-B635	TREAD PLATE
5	1	WMH-M-D-B636	TREAD PLATE
6	1	WMH-M-D-B637	TREAD PLATE
7	1	WMH-M-D-B638	TREAD PLATE
8	25		HEX BOLT
9	1	BD-E-0047	FUEL LEVEL SENSOR

BD-H-0115, Fuel Tank Assembly

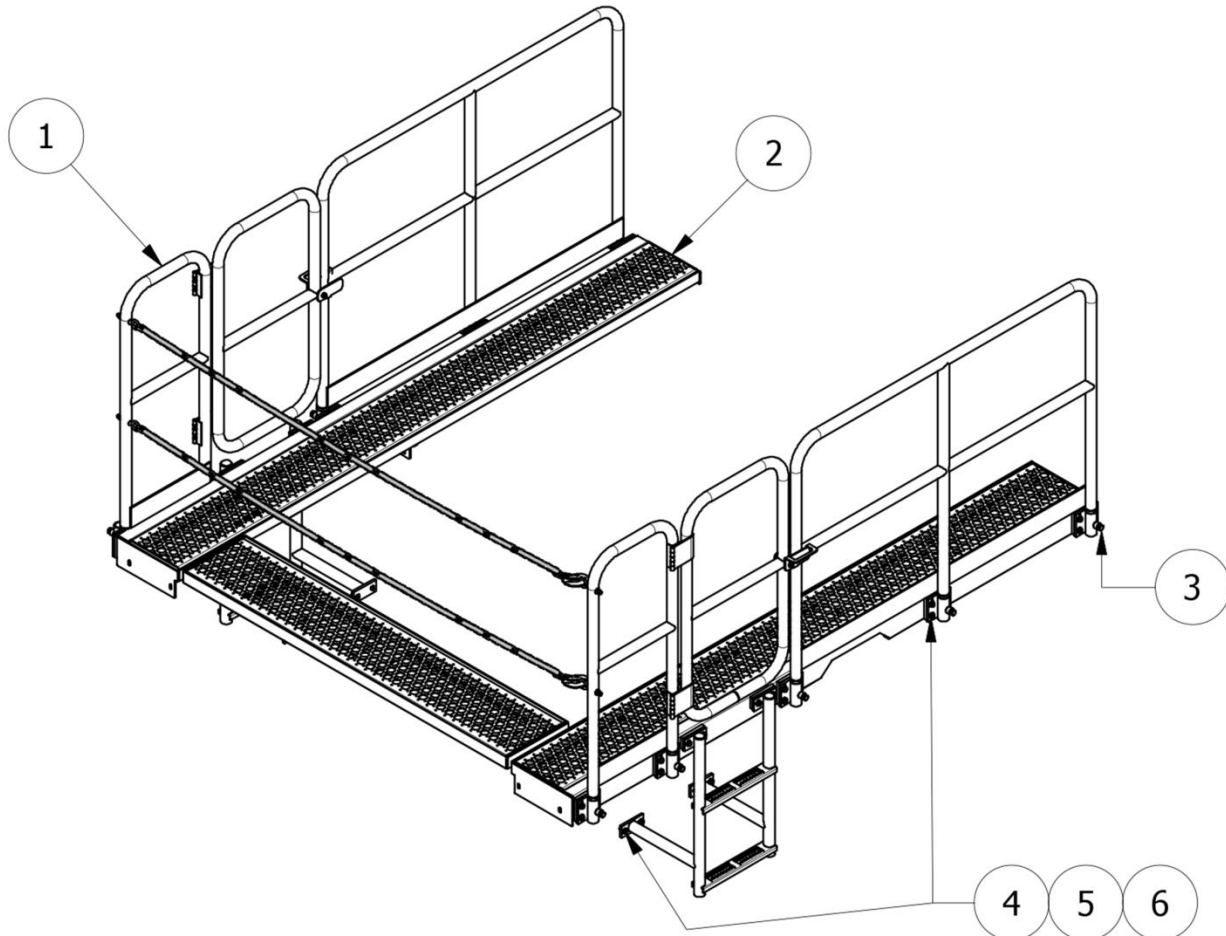




BD-H-0115, FUEL TANK ASSEMBLY

Item	Qty	Part Number	Description
1	1	BD-H-0115	FUEL TANK ASSEMBLY
2			FUEL TANK
3		BD-M-0142	TOP GASKET, FUEL TANK
4			HEX BOLT 3/8 X 1 1/4 LG NC GR.8
5		BD-M-0002	3/8 MASTER SEAL WASHER
6		BD-M-0141	FUEL TANK FILLER GASKER
7		BD-H-0016	FILLER CAP ADAPTER
8		BD-H-0015	FILLER CAP

WMH-M-D000, Catwalk & Handrail Assembly



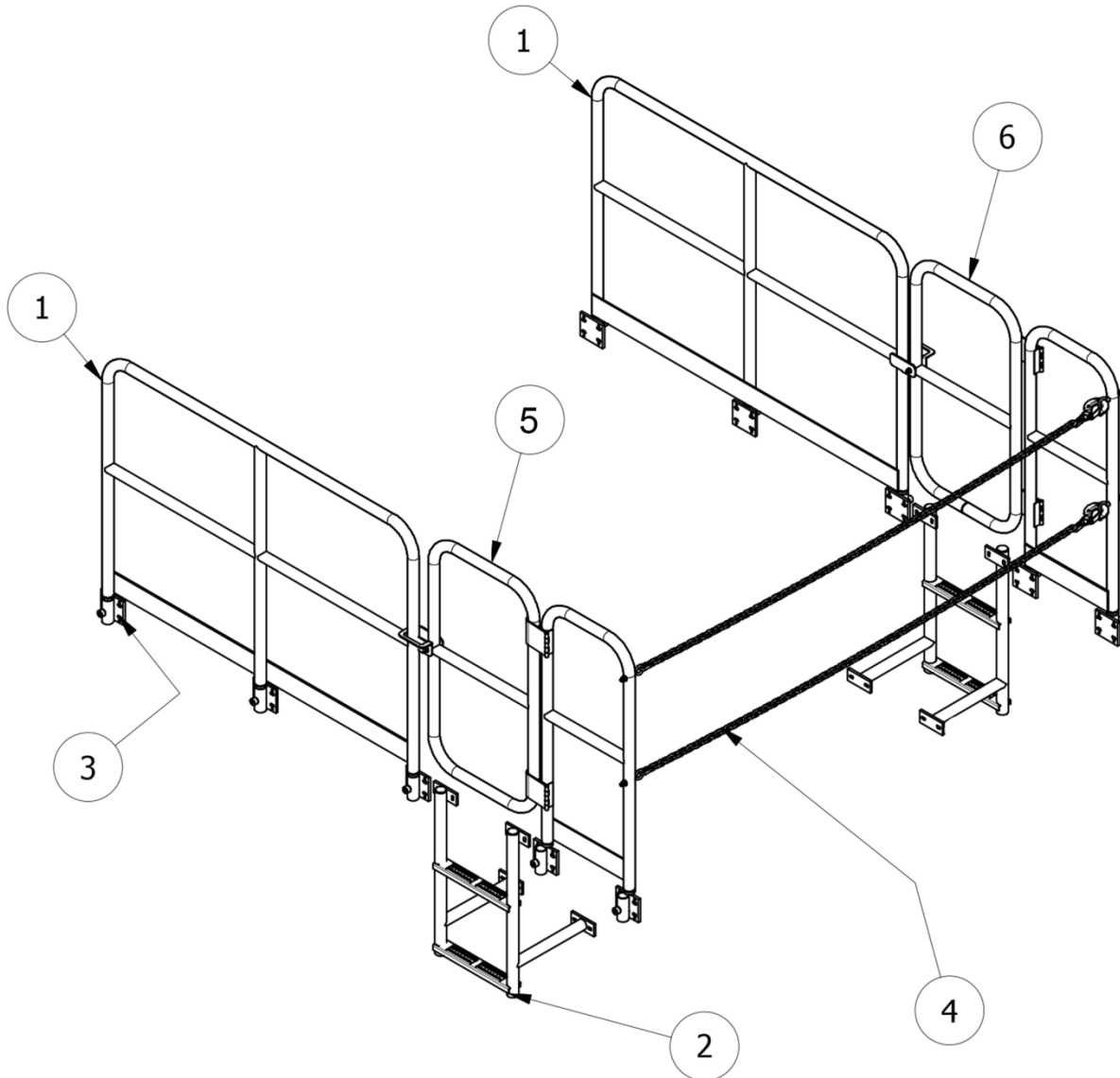
WMH-M-D000, Catwalk & Handrail Assembly

Item	Qty	Part Number	Description
1	1	WMH-M-D100	HANDRAIL ASSEMBLY COMPLETE
2	1	WMH-M-D2000	BOLT ON CATWALK
3	10		HEX BOLT, 1/2" X 1" LG NC GR.8 ZP
4	56		HEX BOLT, 3/8" X 1 1/4 NC GR.8 ZP
5	56		FLAT WASHER, 3/8
6	56		FLAT WASHER, 1/2



BLANK

WMH-M-D100, Handrail Assembly



WMH-M-D100, Handrail Assembly

Item	Qty	Part Number	Description
1	2	WMH-M-D100-RHR	REMOVABLE RAILING
2	2	WMH-M-D103	LADDER
3	10	WMH-M-D105	RAILING SOCKET
4	2	WMH-M-D400	SAFETY CHAIN ASSEMBLY
5	1	WMH-M-D500	LEFT HAND GATE WELDMENT
6	1	WMH-M-D600	RIGHT HAND GATE WELDMENT

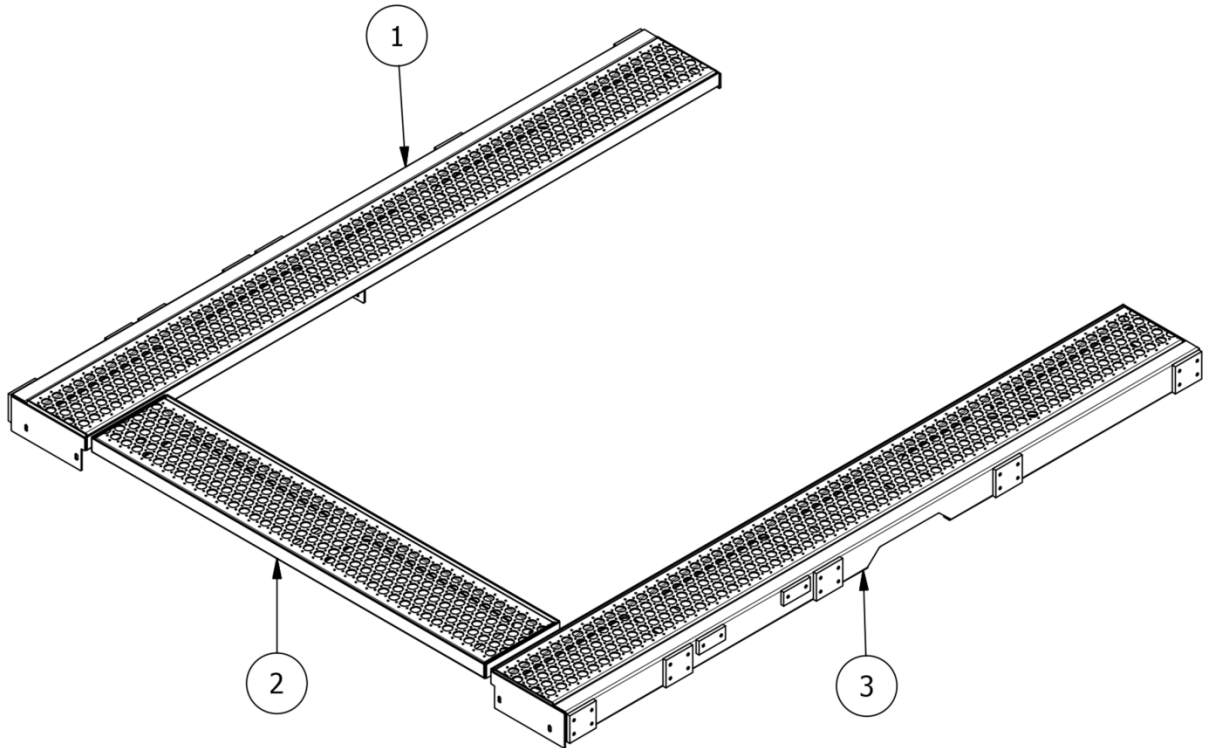


bdmfg.com

B&D Multi Handler Parts Manual

BLANK

WMH-M-D000, Catwalk Bolt on



WMH-M-D2000, Catwalk Bolt On

Item	Qty	Part Number	Description
1	1	WMH-M-D2100	LEFT CATWALK
2	1	WMH-M-D2200	CROSS WALK
3	1	WMH-M-D2300	RIGHT CATWALK

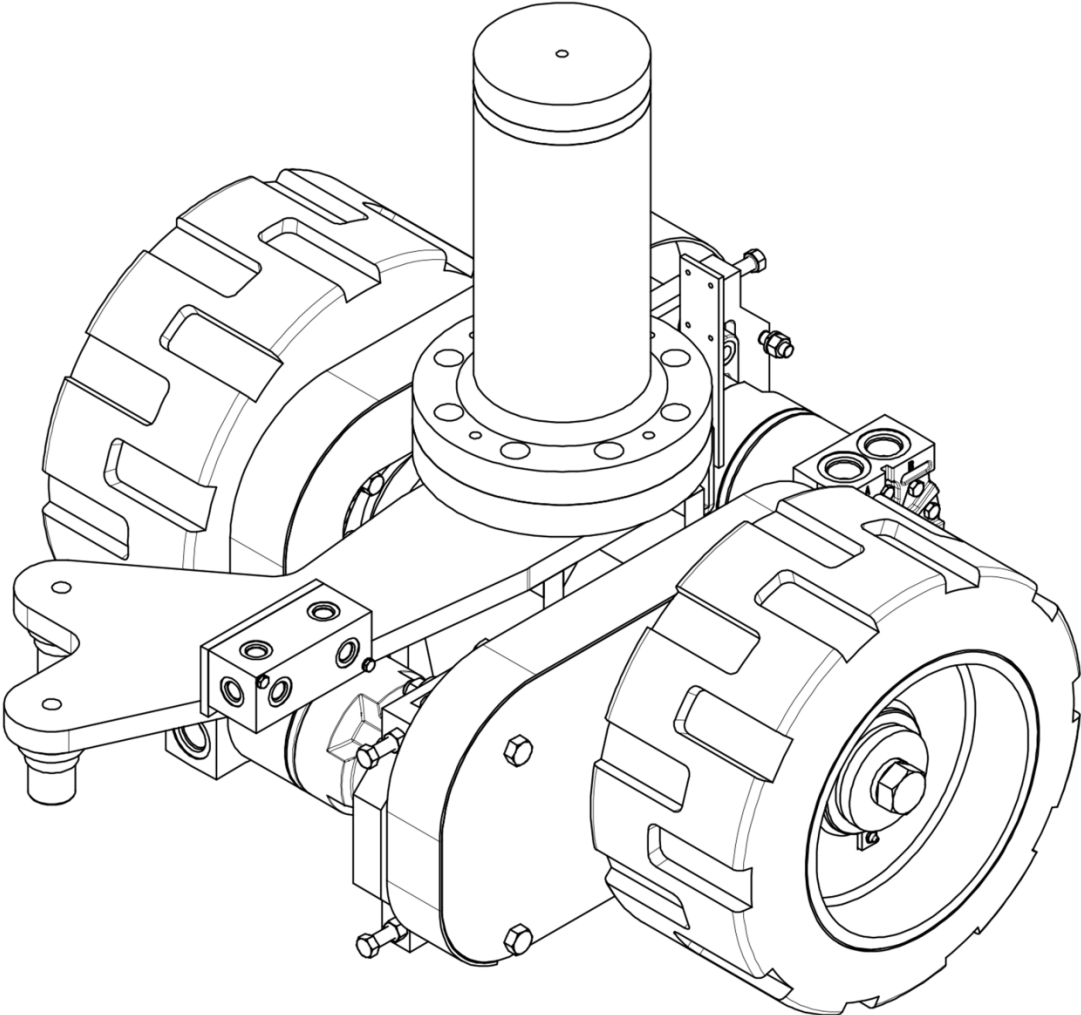


bdmfg.com

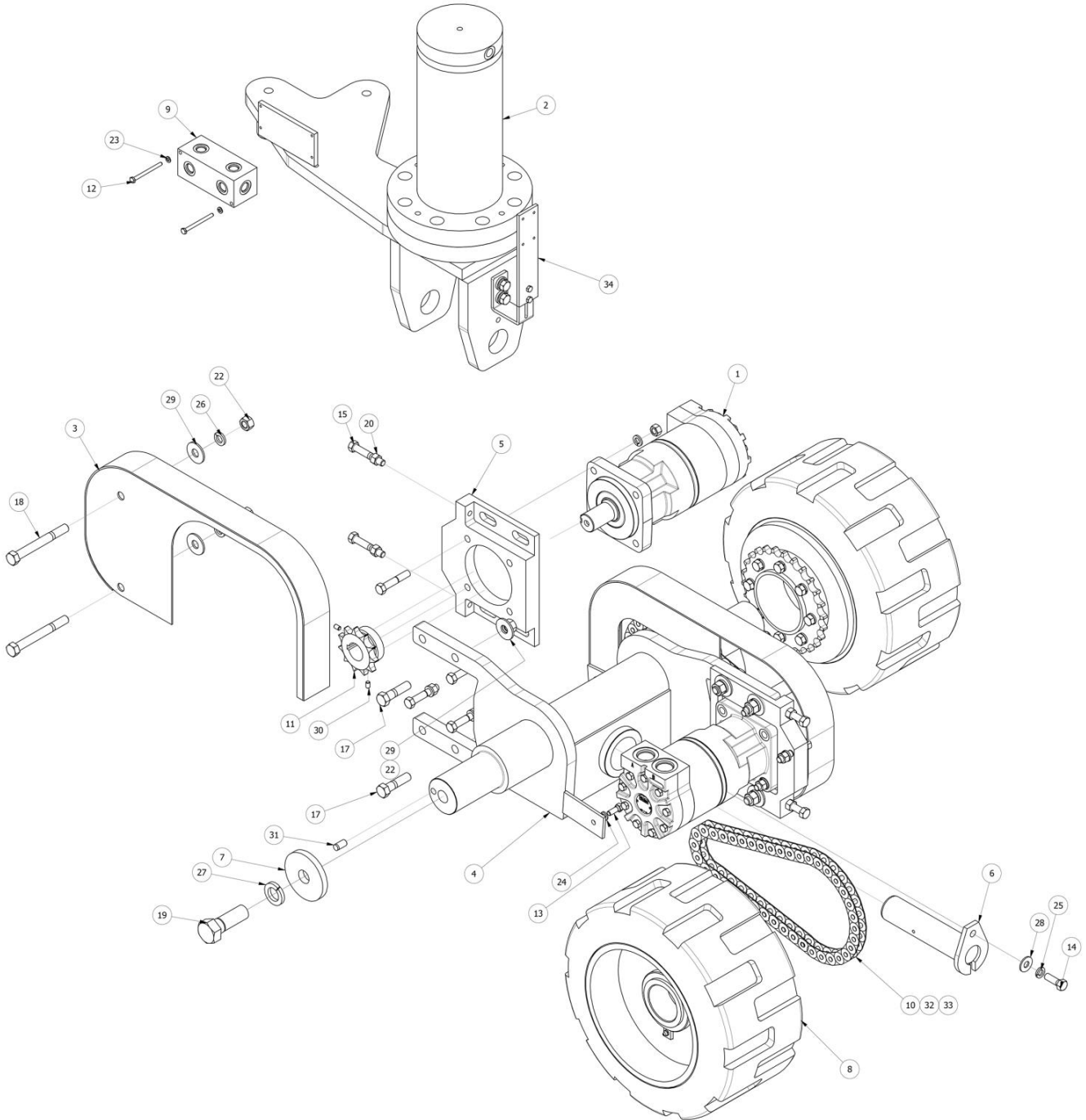
B&D Multi Handler Parts Manual

BLANK

WMH-M-C000, Strut Assembly – Right Front



WMH-M-C000, Strut Assembly – Right Front



WMH-M-C000, Strut Assembly – Right Front

Item	Qty	Part Number	Description
1	2	BD-H-0012	DRIVE MOTOR
2	1	BD-H-0110-002	HYD. STRUT ASSEMBLY
3	2	WMH-M-C101	L/S CHAIN GUARD
4	1	WMH-M-C006	AXLE BOX ASSEMBLY
5	2	WMH-M-C007	MOTOR PLATE
6	1	WMH-M-C008	AXLE BOX PIN
7	2	WMH-M-C024	AXLE END CAP
8	2	WMH-M-F000	WHEEL ASSEMBLY
9	1	WMH-E-M-Q010	DRIVE MOTOR MANIFOLD
10	2	BD-M-0010-A	DRIVE CHAIN
11	2	BD-M-0038	DRIVE SPROCKET
12	2		HHCS, 1/4 X 3 LG NC ZP G.8
13	2		HHCS, 3/8 X 1 LG NC ZP G.8
14	1		HHCS, 1/2 X 1 1/2 LG NC ZP G.8
15	4		HHCS, 1/2 X 3 LG NC ZP G.8
16	8		HHCS, 1/2 X 2 3/4 LG NF ZP G.8
17	4		HHCS, 5/8 X 2 1/2 LG NC ZP G.8
18	4		HHCS, 5/8 X 5 1/2 LG NC ZP G.8
19	2		HHCS, 1 1/8 X 2 1/2 LG NF ZP G.8
20	4		HEX NUT, 1/2 NC
21	8		HEX NUT, 1/2 NF
22	8		HEX NUT, 5/8 NC
23	2		LOCK WASHER, 1/4
24	2		LOCK WASHER, 3/8
25	9		LOCK WASHER, 1/2
26	8		LOCK WASHER, 5/8
27	2		LOCK WASHER, 1 1/8
28	1		FLAT WASHER, 1/2
29	8		FLAT WASHER, 5/8
30	4		5/16 SOCKET HEAD SET SCREW NC
31	2		1/2 X 1 LG DOWEL PIN HARDENED
32		BD-M-0011-A	DRIVE CHAIN LINK
33		BD-M-0012-A	DRIVE CHAIN OFFSET
34	1	BD-H-0110-229	SENSOR MOUNT
	1	BD-H-0110-227	SENSOR MOUNT BRACKET

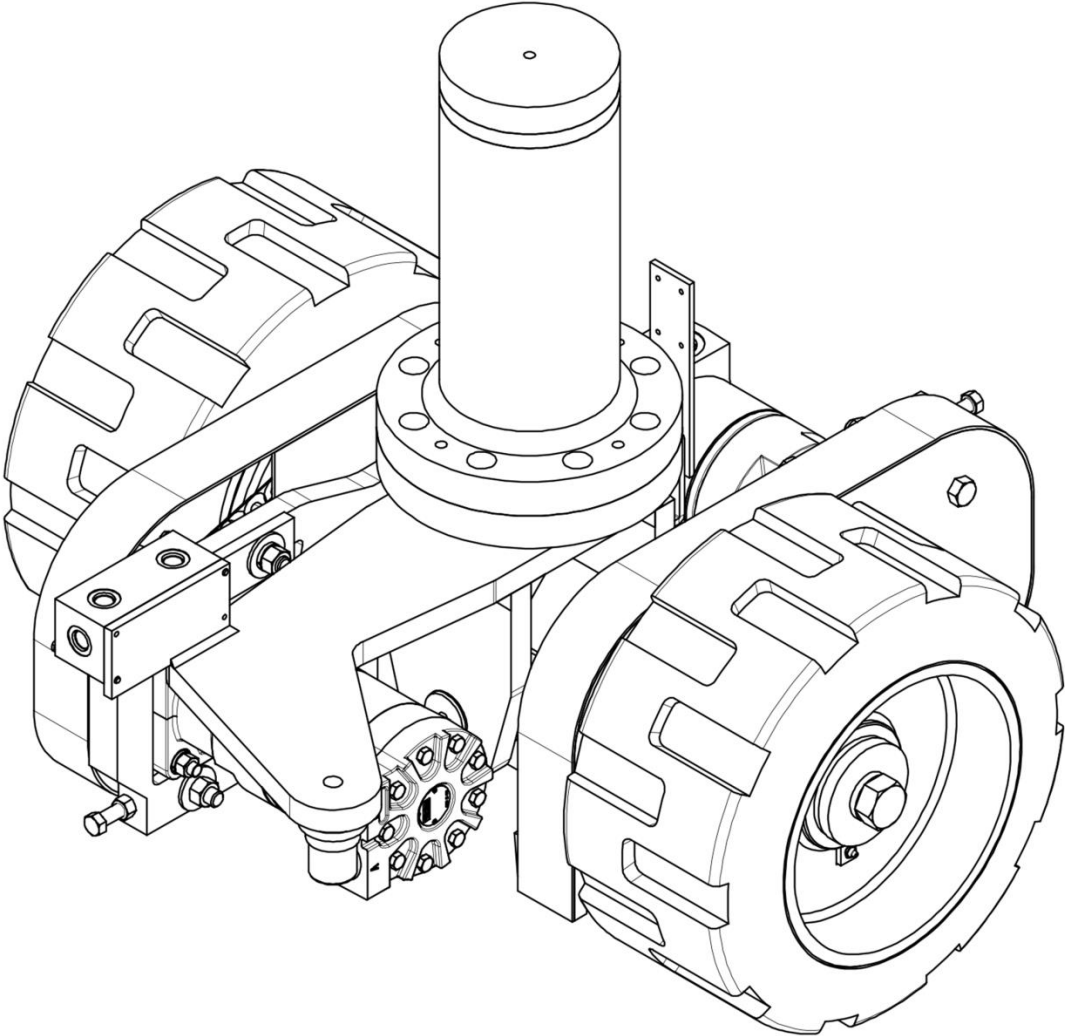


bdmfg.com

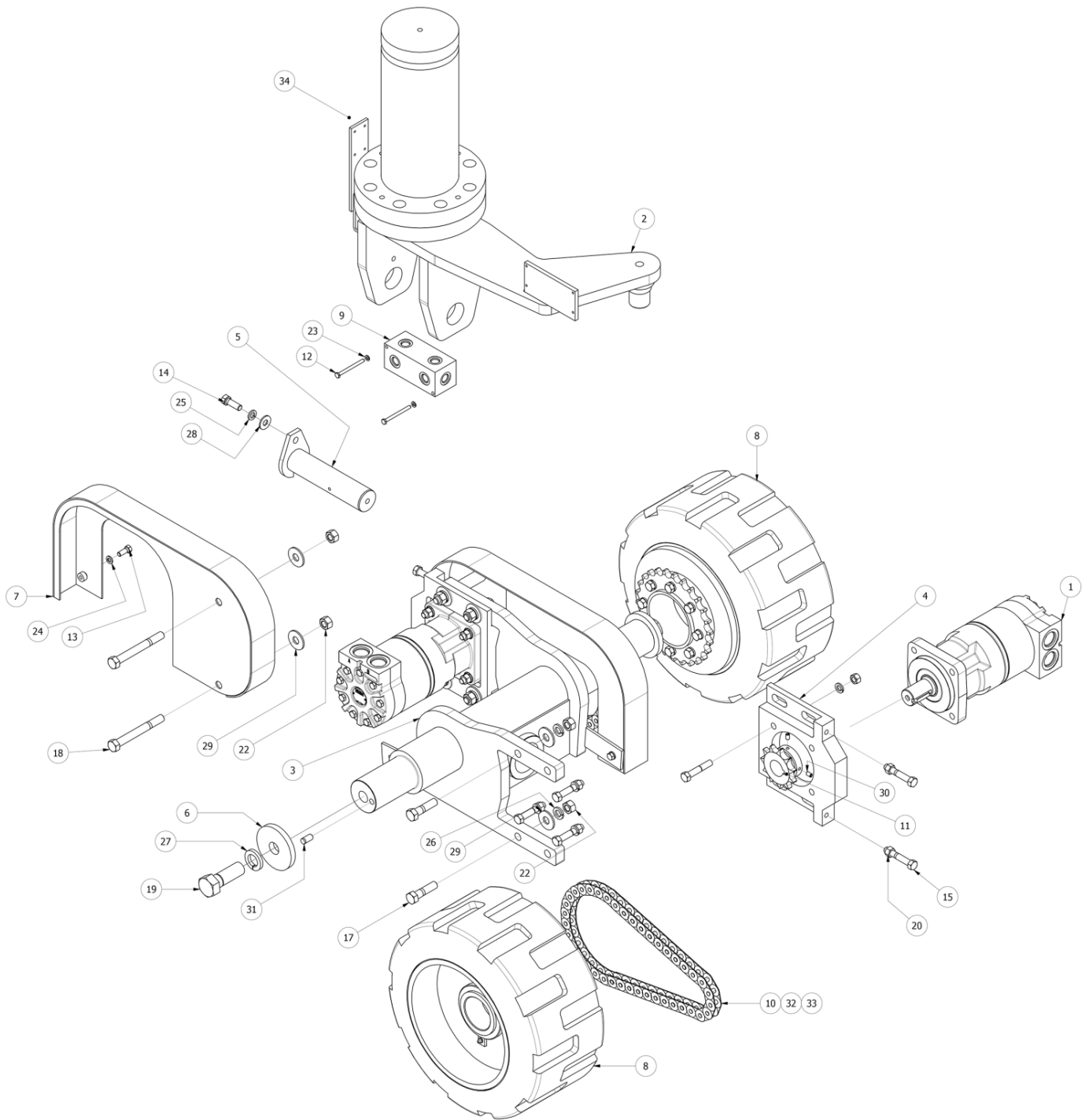
B&D Multi Handler Parts Manual

BLANK

WMH-M-C001, Strut Assembly – Left Front



WMH-M-C001, Strut Assembly – Left Front



WMH-M-C001, Strut Assembly – Left Front

Item	Qty	Part Number	Description
1	2	BD-H-0012	DRIVE MOTOR
2	1	BD-H-0110-001	HYD.STRUT ASSEMBLY
3	2	WMH-M-C005	AXLE BOX ASSEMBLY
4	1	WMH-M-C007	MOTOR PLATE
5	2	WMH-M-C008	AXLE BOX PIN
6	1	WMH-M-C024	AXLE END CAP
7	2	WMH-M-C100	R/S CHAIN GUARD
8	2	WMH-M-F000	WHEEL ASSEMBLY
9	1	WMH-E-M-Q010	DRIVE MOTOR MANIFOLD
10	2	BD-M-0010-A	DRIVE CHAIN
11	2	BD-M-0038	DRIVE SPROCKET
12	2		HHCS, 1/4 X 3 LG NC ZP G.8
13	2		HHCS, 3/8 X 1 LG NC ZP G.8
14	1		HHCS, 1/2 X 1 1/2 LG NC ZP G.8
15	4		HHCS, 1/2 X 3 LG NC ZP G.8
16	8		HHCS, 1/2 X 2 3/4 LG NF ZP G.8
17	4		HHCS, 5/8 X 2 1/2 LG NC ZP G.8
18	4		HHCS, 5/8 X 5 1/2 LG NC ZP G.8
19	2		HHCS, 1 1/8 X 2 1/2 LG NF ZP G.8
20	4		HEX NUT, 1/2 NC
21	8		HEX NUT, 1/2 NF
22	8		HEX NUT, 5/8 NC
23	2		LOCK WASHER, 1/4
24	2		LOCK WASHER, 3/8
25	9		LOCK WASHER, 1/2
26	8		LOCK WASHER, 5/8
27	2		LOCK WASHER, 1 1/8
28	1		FLAT WASHER, 1/2
29	8		FLAT WASHER, 5/8
30	4		5/16 SOCKET HEAD SET SCREW NC
31	2		1/2 X 1 LG DOWEL PIN HARDENED
32		BD-M-0011-A	DRIVE CHAIN LINK
33		BD-M-0012-A	DRIVE CHAIN OFFSET
34	1	BD-H-0110-229 BD-H-0110-227	SENSOR MOUNT SENSOR MOUNT BRACKET

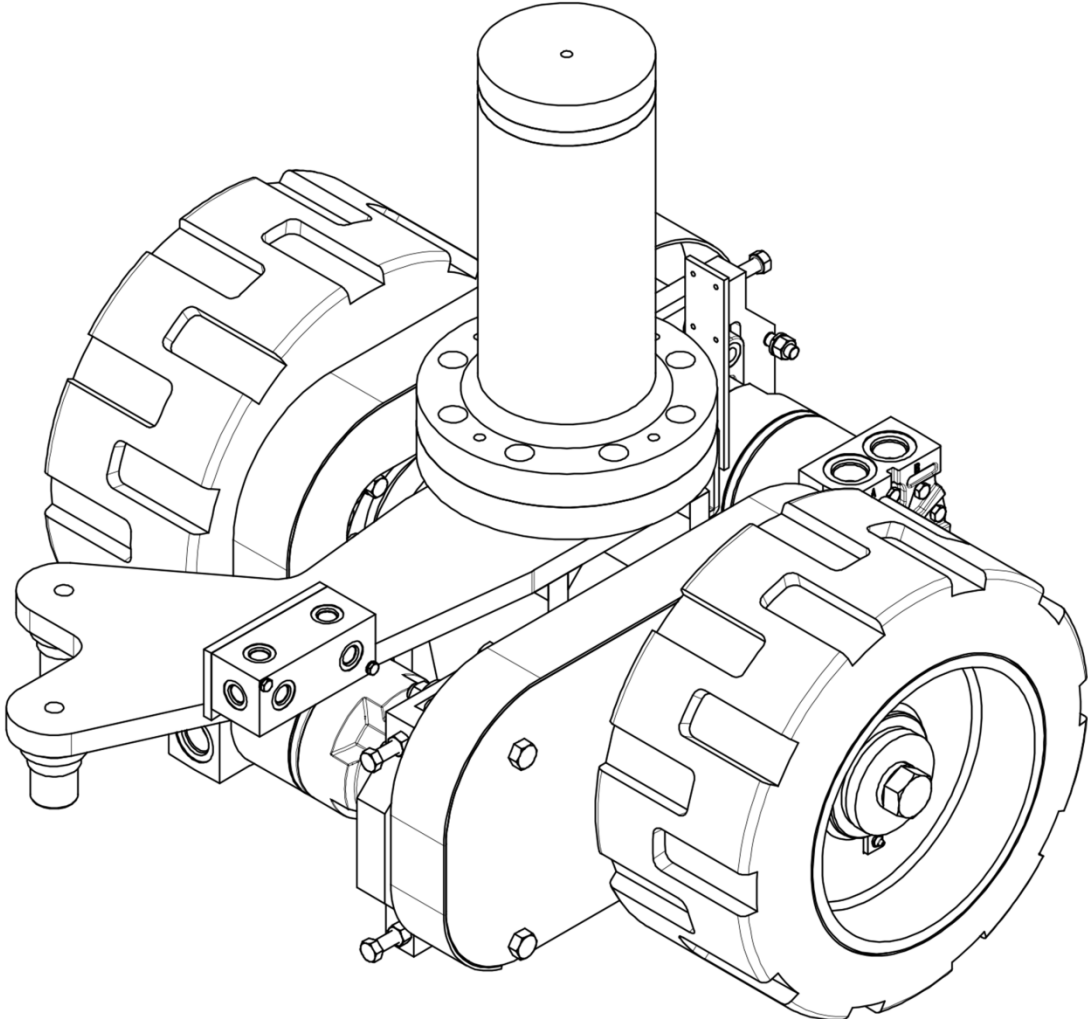


bdmfg.com

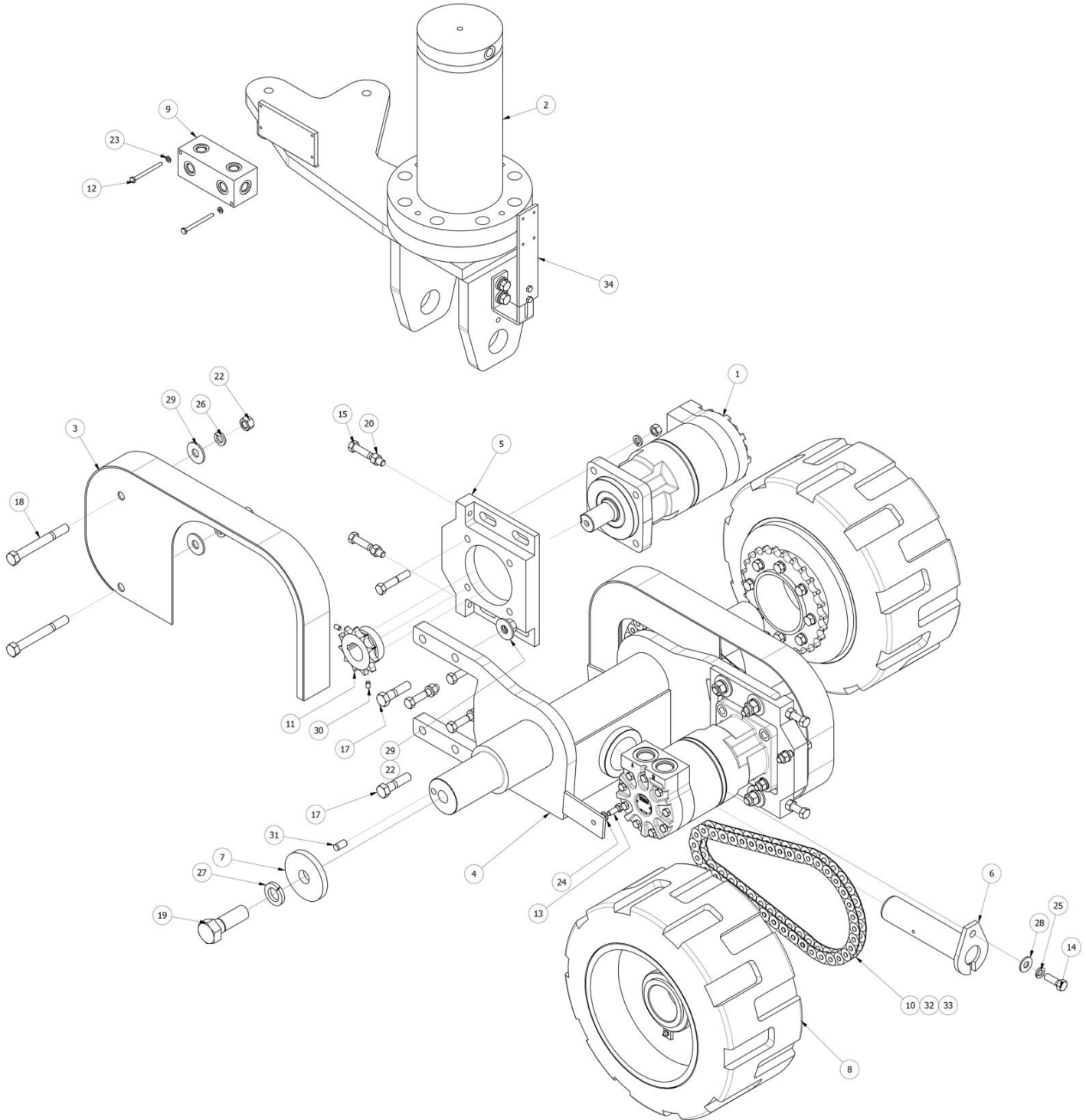
B&D Multi Handler Parts Manual

BLANK

WMH-M-C002, Strut Assembly – Rear Centre



WMH-M-C002, Strut Assembly – Rear Centre



WMH-M-C002, Strut Assembly – Rear Centre

Item	Qty	Part Number	Description
1	2	BD-H-0012	DRIVE MOTOR
2	1	BD-H-0110-003	HYD. STRUT ASSEMBLY
3	2	WMH-M-C101	L/S CHAIN GUARD
4	1	WMH-M-C006	AXLE BOX ASSEMBLY
5	2	WMH-M-C007	MOTOR PLATE
6	1	WMH-M-C008	AXLE BOX PIN
7	2	WMH-M-C024	AXLE END CAP
8	2	WMH-M-F000	WHEEL ASSEMBLY
9	1	WMH-E-M-Q010	DRIVE MOTOR MANIFOLD
10	2	BD-M-0010-A	DRIVE CHAIN
11	2	BD-M-0038	DRIVE SPROCKET
12	2		HHCS, 1/4 X 3 LG NC ZP G.8
13	2		HHCS, 3/8 X 1 LG NC ZP G.8
14	1		HHCS, 1/2 X 1 1/2 LG NC ZP G.8
15	4		HHCS, 1/2 X 3 LG NC ZP G.8
16	8		HHCS, 1/2 X 2 3/4 LG NF ZP G.8
17	4		HHCS, 5/8 X 2 1/2 LG NC ZP G.8
18	4		HHCS, 5/8 X 5 1/2 LG NC ZP G.8
19	2		HHCS, 1 1/8 X 2 1/2 LG NF ZP G.8
20	4		HEX NUT, 1/2 NC
21	8		HEX NUT, 1/2 NF
22	8		HEX NUT, 5/8 NC
23	2		LOCK WASHER, 1/4
24	2		LOCK WASHER, 3/8
25	9		LOCK WASHER, 1/2
26	8		LOCK WASHER, 5/8
27	2		LOCK WASHER, 1 1/8
28	1		FLAT WASHER, 1/2
29	8		FLAT WASHER, 5/8
30	4		5/16 SOCKET HEAD SET SCREW NC
31	2		1/2 X 1 LG DOWEL PIN HARDENED
32		BD-M-0011-A	DRIVE CHAIN LINK
33		BD-M-0012-A	DRIVE CHAIN OFFSET
34	1	BD-H-0110-229	SENSOR MOUNT
	1	BD-H-0110-227	SENSOR MOUNT BRACKET

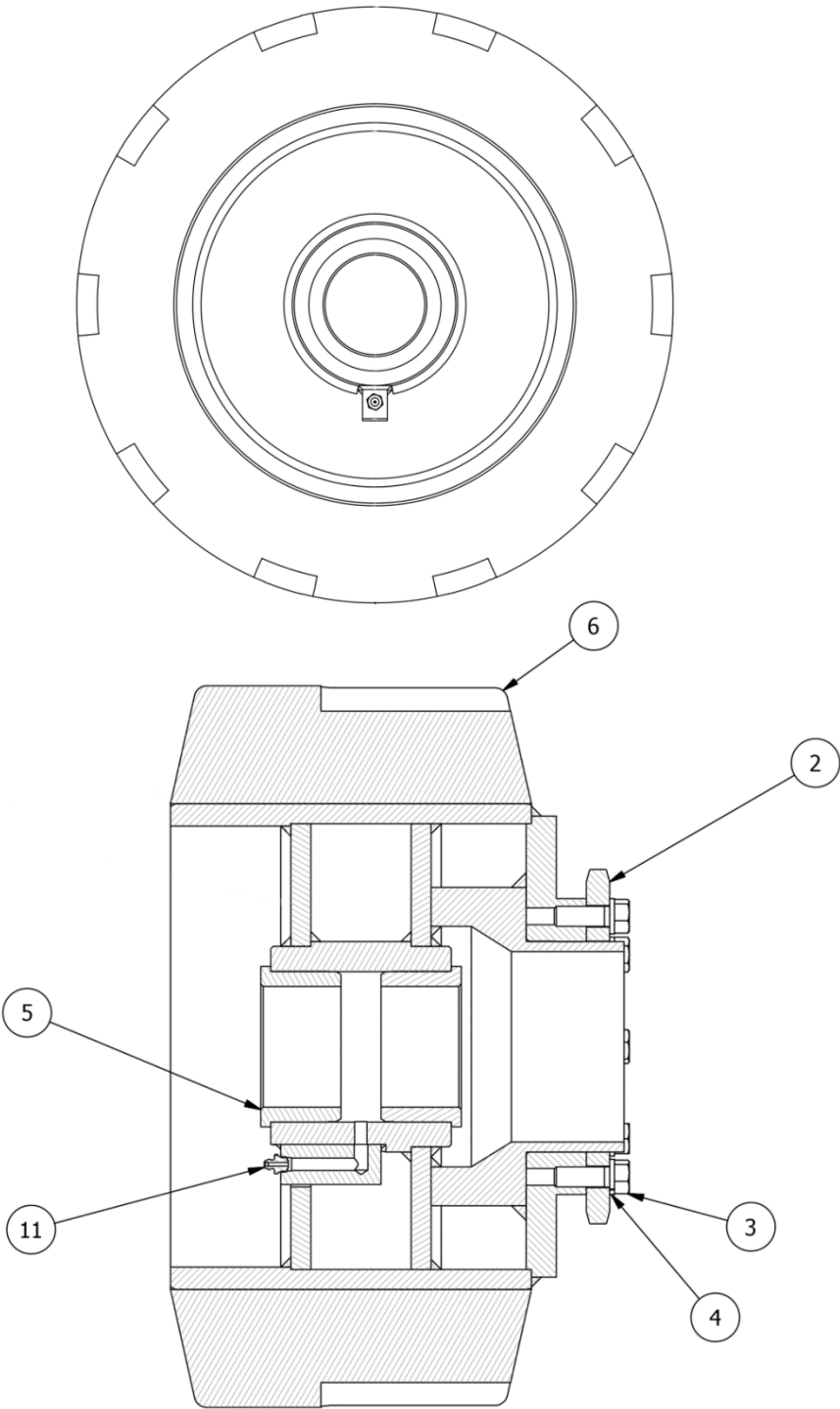


bdmfg.com

B&D Multi Handler Parts Manual

BLANK

WMH-M-F000, Wheel Assembly

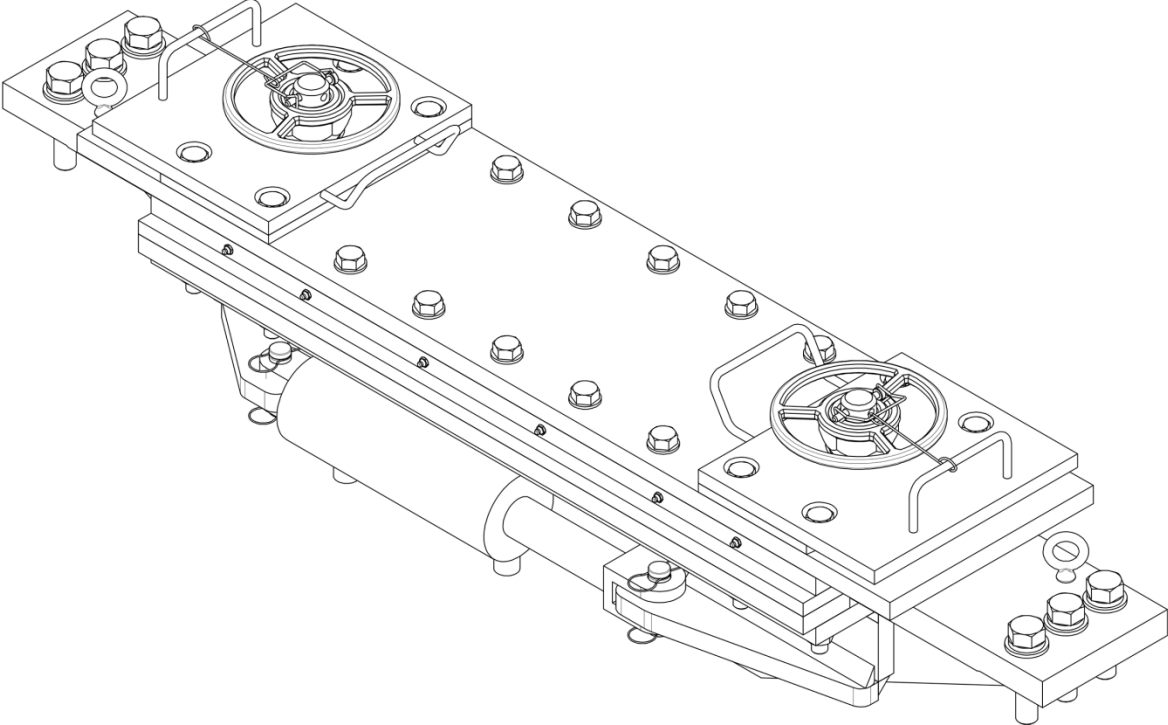




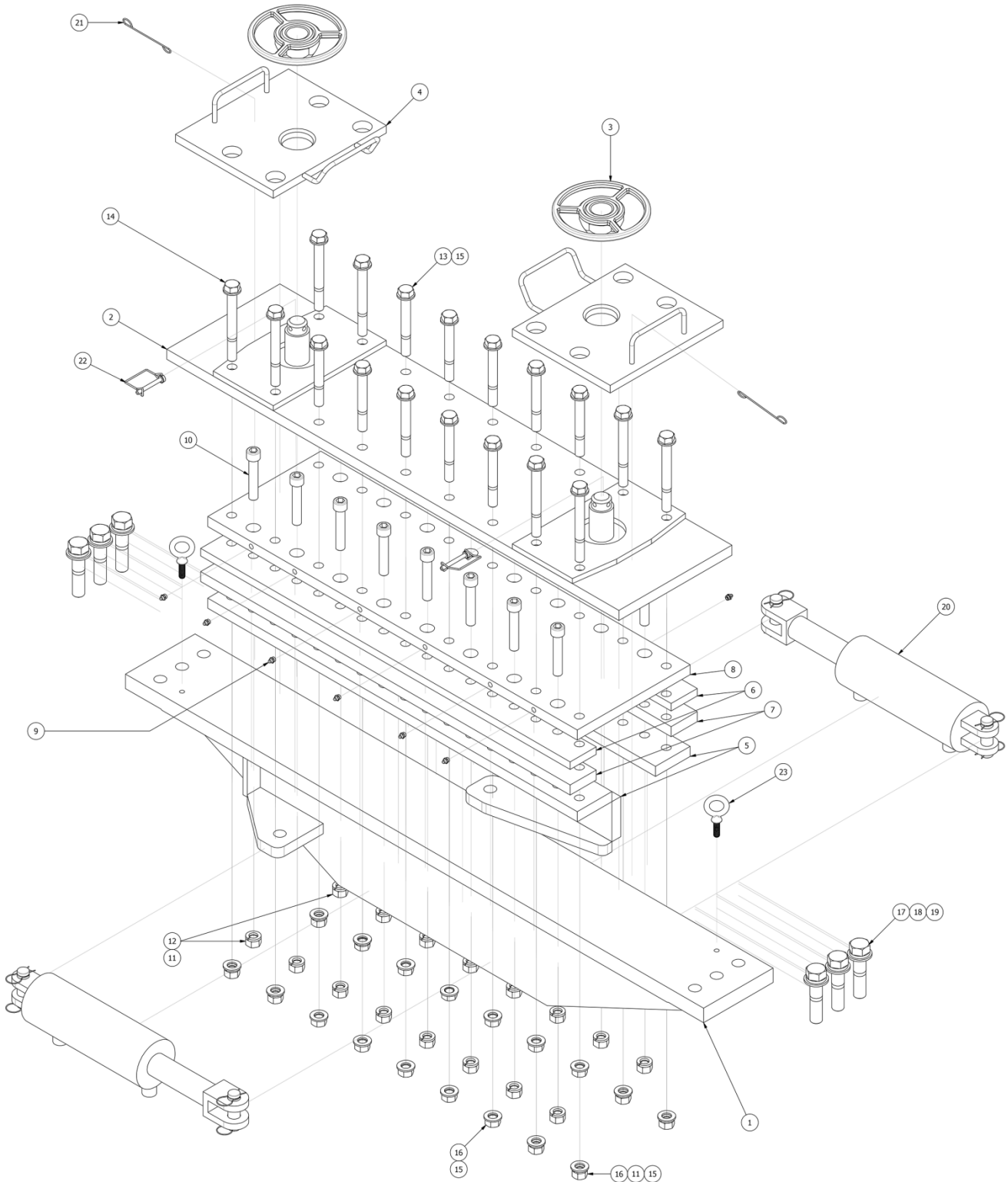
WMH-M-F000, Wheel Assembly

Item	Qty	Part Number	Description
2	1	WMH-M-F016	STD. ROLLER CHAIN SPKTS.
3	8		HEX BOLT, 1/2 X 13 UNC X 1.5 LG
4	8		1/2 HELICAL SPRING LOCK WASHER
5	2	WMH-M-F017	WHEEL BUSHING
6	1	BD-M-0040	HT 18X9X12.125 TIRE
11	1		GREASE FITTING 1/8 NPT

WMH-M-B3000, WMH-Cross Slide



WMH-M-B3000, WMH-Cross Slide



WMH-M-B3000, WMH-Cross Slide

Item	Qty	Part Number	Description
1	1	WMH-M-B3001	BASE FRAME
2	1	WMH-M-B3004	JIG CLAMP WELDMENT
3	2	WMH-M-B3005	QUICK ATTACH LOCKING ASSEMBLY
4	2	WMH-M-B3006	CLAMP PLATE ASSEMBLY
5	2	WMH-M-B3003	CYLINDER MOUNT WELDMENT
6	2	WMH-M-B3014	¾" SPACER PLATE
7	2	WMH-M-B3017	1" SPACER PLATE
8	1	WMH-M-B3018	LUBRICATION PLATE
9	12		LUBRICATING NIPPLE ¼ NPT
10	16		SCCS 3/4 X 4 LG GRADE 8 NF ZP
11	24		LOCK WASHER 3/4" GRADE 9 - ZP
12	16		HEX NUT, 3/4 NF GRADE 8 - ZP
13	10		HEX BOLT, 3/4 X 6 LG NC GRADE 8 - ZP
14	8		HEX BOLT 3/4 X 7 LG NC GRADE 8 ZP
15	36		FLAT WASHER-GRADE 9 ZP
16	18		HEX NUT, 3/4 NC GRADE 8 ZP
17	6		HEX BOLT 1" X 4-1/2" LG NC GRADE 8 ZP
18	6		LOCK WASHER, 1" - GRADE 9 ZP
19	6		FLAT WASHER, 1"- GRADE 9 ZP
20	2	BD-H-0022	8" STROKE HYDRAULIC CYLINDER
21	2		10" NYLON LANYARD - TYPE 1
22	2	BD-M-0166	Ø5/16" LOCKING PIN
23	2		1-1/2 EYEBOLT

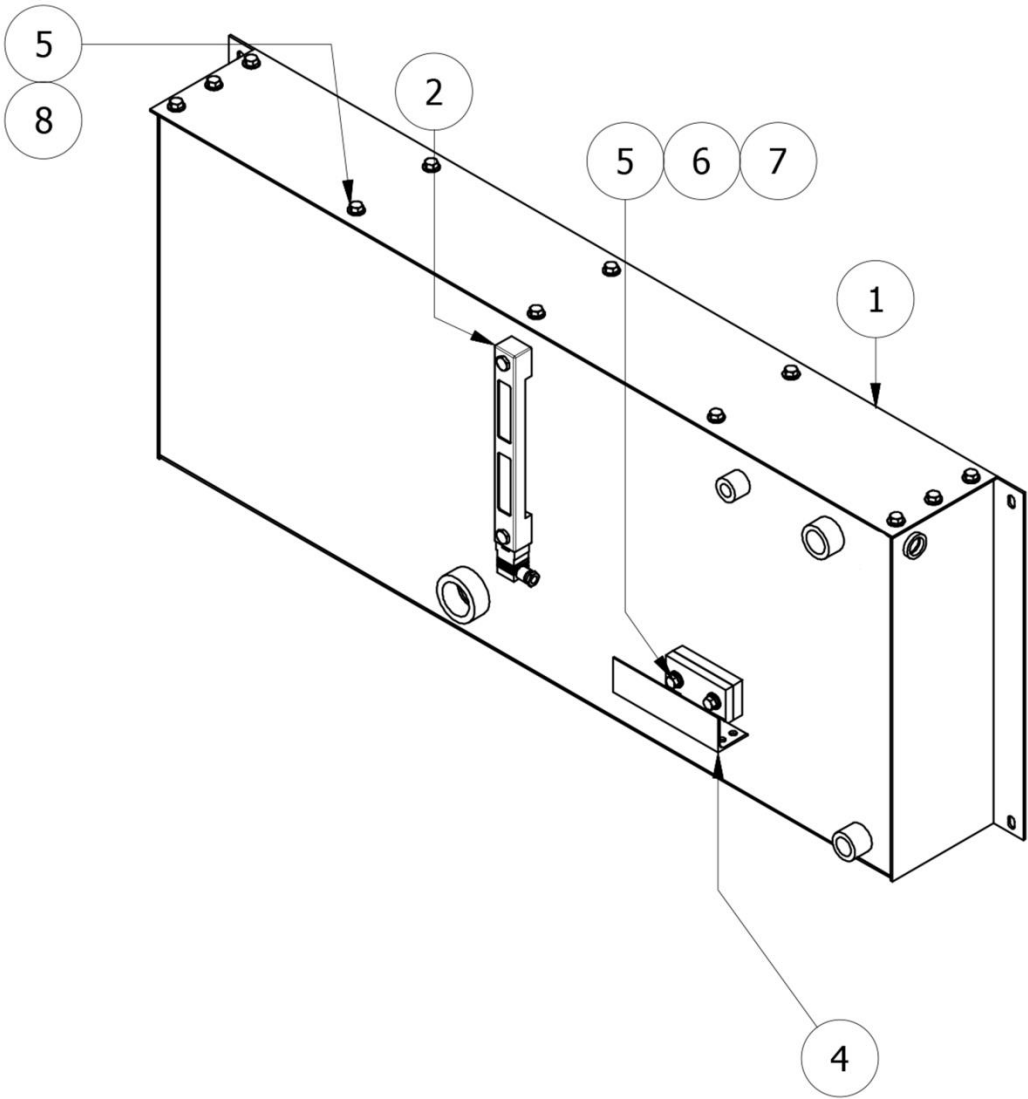


bdmfg.com

B&D Multi Handler Parts Manual

BLANK

BD-H-0005-ASS'Y, Hydraulic Tank



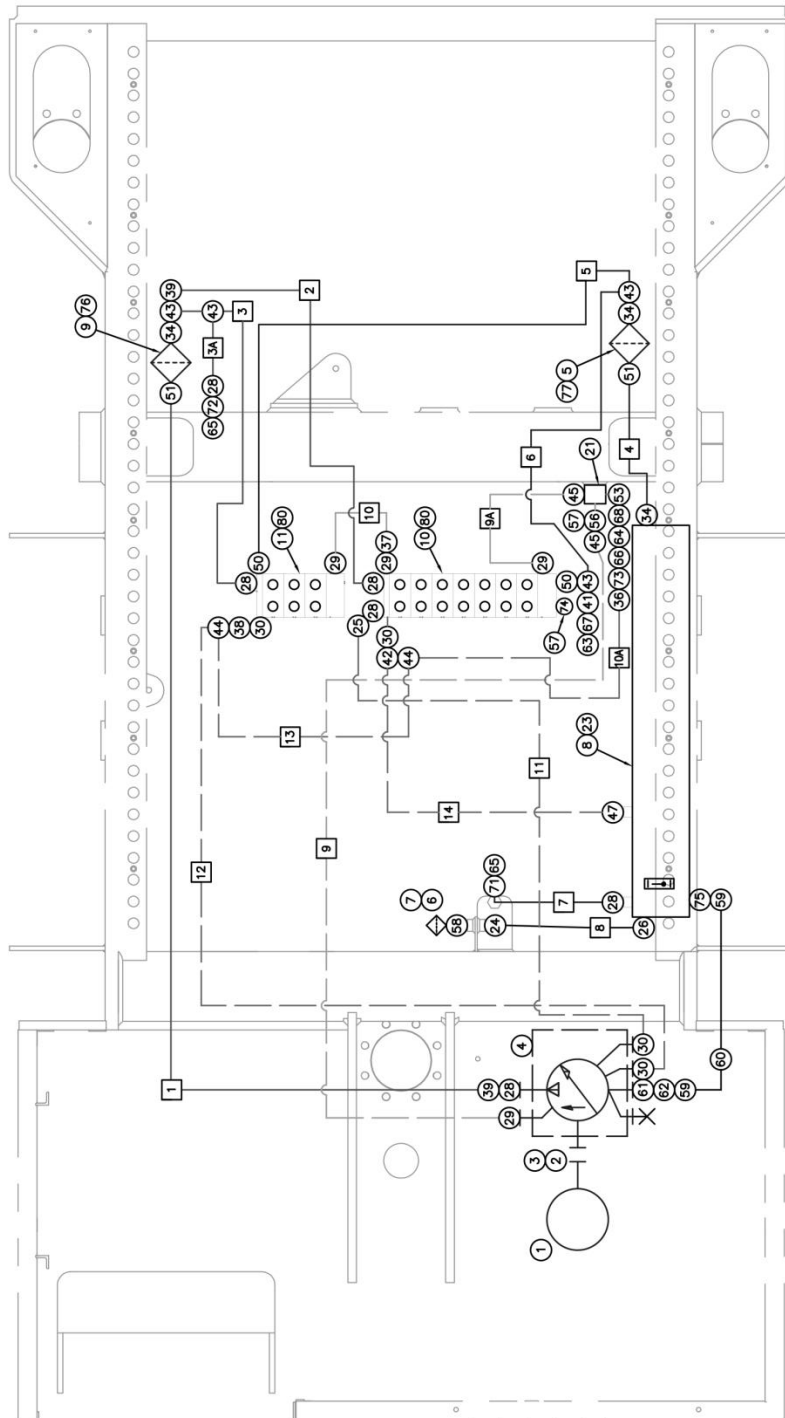


BD-H-0005-ASS'Y, Hydraulic Tank

Item	Qty	Part Number	Description
1	1	BD-H-0005	HYDRAULIC TANK LOW ALTITUDE
	1		HYDRAULIC TANK HIGH ALTITUDE
2	1	BD-H-0014	LEVEL GAUGE
4	1	WMH-M-A002	HYDRAULIC TANK HOSE CRADLE
5	14		HEX BOLT 3/8 X 1" NC Gr8 ZP
6	2		FLAT WASHER, 3/8"
7	2		LOCK WASHER, 3/8"
8	12	BD-M-0002	3/8" BONDED SEALED WASHER

BDS-0110, Hydraulic System

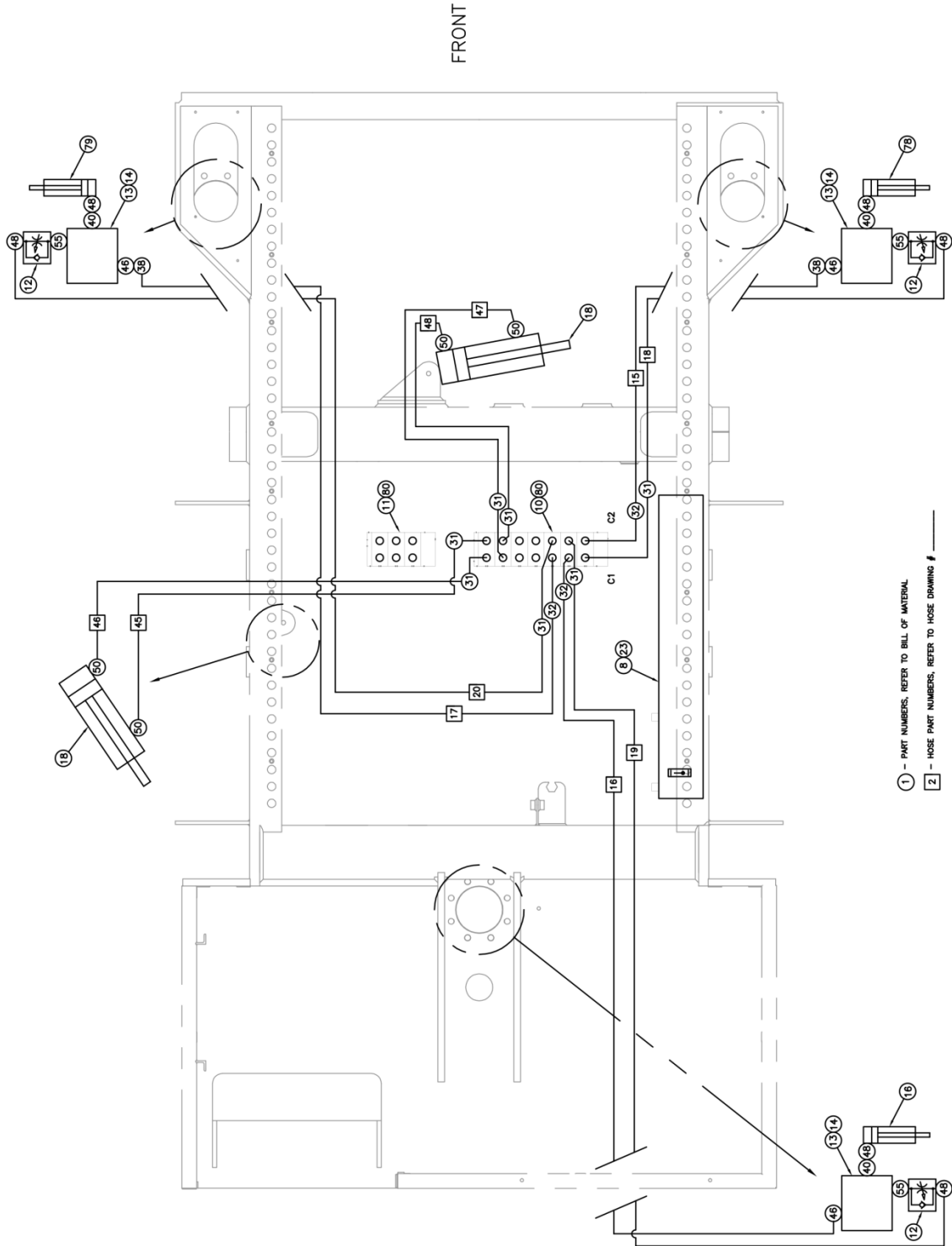
FRONT



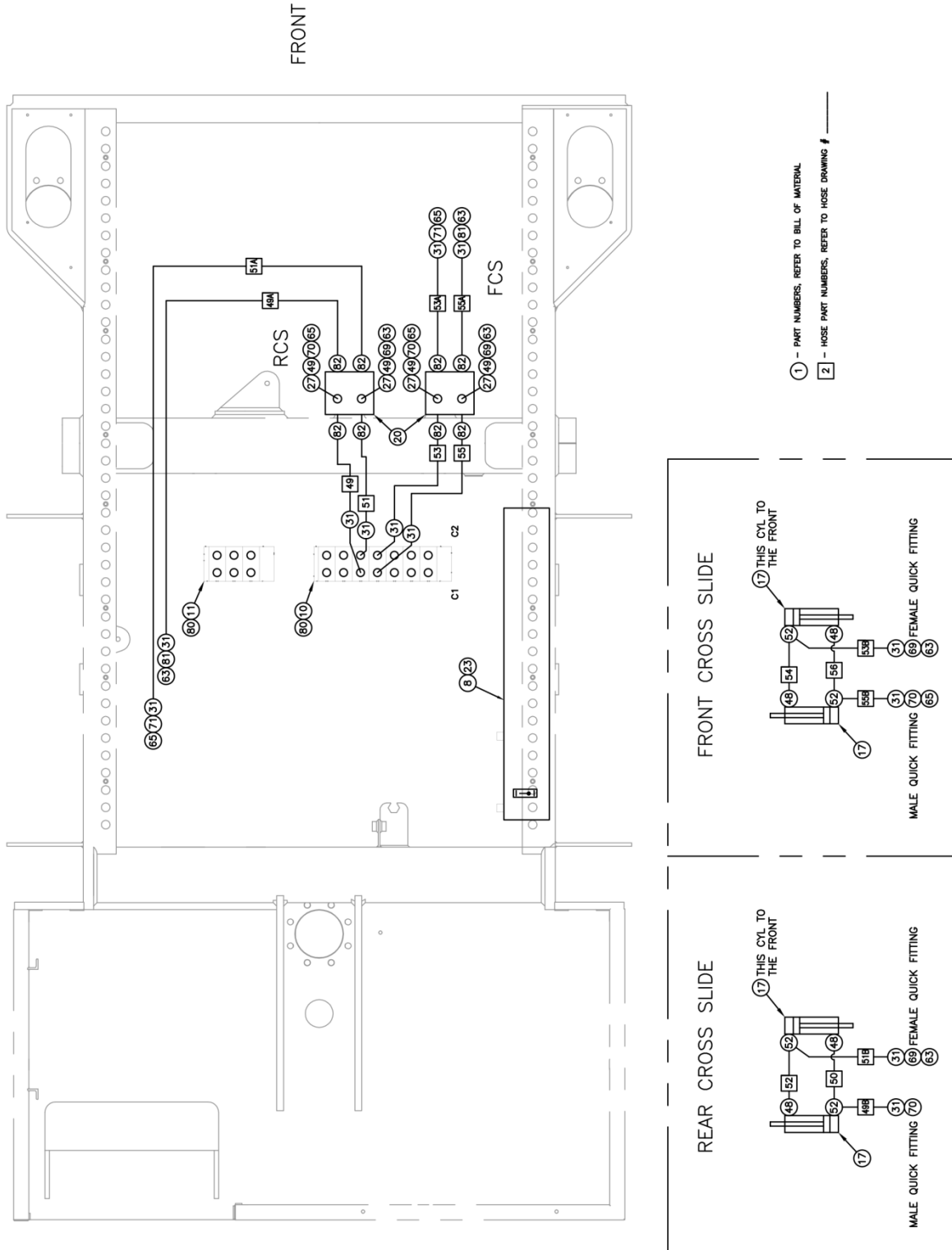
① - PART NUMBERS, REFER TO BILL OF MATERIAL

② - HOSE PART NUMBERS, REFER TO HOSE DRAWING # _____

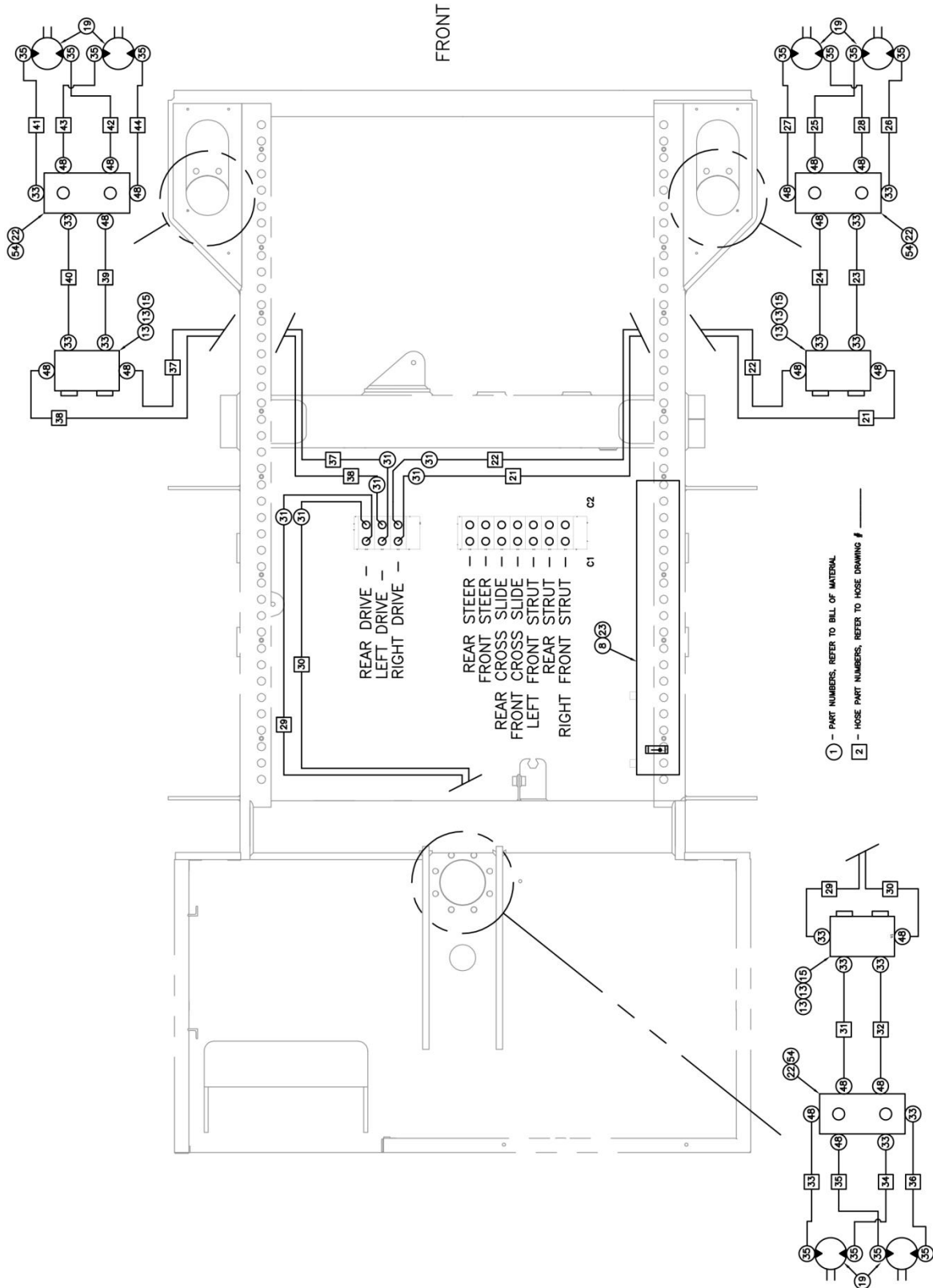
BDS-0110, Hydraulic System



BDS-0110, Hydraulic System



BDS-0110, Hydraulic System



BDS-0110, Hydraulic System

Item	Qty	Part Number	Description
1			
2			
3			
4	1	BD-H-0004	HYDRAULIC PUMP - STANDARD ALTITUDE
	1	BD-H-0085	HYDRAULIC PUMP - HIGH ALTITUDE
5	1	BD-H-0729	RETURN FILTER
6	1	BD-H-0018	BREATHER ADAPTER
7	1	BD-H-0017	AIR BREATHER
8	1	BD-H-0014	LEVEL GAUGE
9	1	BD-H-0636	PRESSURE FILTER
10	1	BD-H-0731	DIRECTIONAL VALVE, 7 SPOOL
11	1	BD-H-0730	DIRECTIONAL VALVE, 3 SPOOL
12	3	BD-H-0007	FLOW CONTROL
13	9	BD-H-0021	MOTION CONTROL CARTRIDGE
14	3	BD-H-0020	SINGLE MOTION CONTROL BLOCK
15	3	BD-H-0019	DOUBLE MOTION CONTROL BLOCK
16	1	BD-H-0110-003	REAR STRUT CYLINDER
17	2	BD-H-0022	CROSS SLIDE CYLINDER
18	2	BD-H-0109	STEER CYLINDER
19	6	BD-H-0012	DRIVE MOTOR
20	2	BD-H-0056	DIVERTER VALVE
21	1	BD-H-0108	SHUTTLE VALVE
22	1	WMH-E-M-Q010	DRIVE MOTOR MANIFOLD
23	1	BD-H-0005	HYDRAULIC TANK ASSEMBLY
24	1	BD-H-0168	ADAPTER
25	1	BD-H-0169	ADAPTER
26	1	BD-H-0170	ADAPTER
27	4	BD-H-0171	ADAPTER
28	6	BD-H-0172	ADAPTER
29	4	BD-H-0173	ADAPTER
30	4	BD-H-0174	ADAPTER
31	25	BD-H-0175	ADAPTER
32	3	BD-H-0176	ADAPTER
33	13	BD-H-0177	ADAPTER
34	3	BD-H-0178	ADAPTER
35	6	BD-H-0179	ADAPTER
36	1	BD-H-0180	ADAPTER
37	1	BD-H-0181	ADAPTER
38	3	BD-H-0183	ADAPTER
39	2	BD-H-0184	ADAPTER
40	3	BD-H-0185	ADAPTER
41	1	BD-H-0186	ADAPTER
42	1	BD-H-0187	ADAPTER
43	4	BD-H-0188	ADAPTER
44	2	BD-H-0189	ADAPTER
45	2	BD-H-0190	ADAPTER
46	3	BD-H-0191	ADAPTER



Item	Qty	Part Number	Description
47	1	BD-H-0192	ADAPTER
48	27	BD-H-0193	ADAPTER
49	4	BD-H-0194	ADAPTER
50	6	BD-H-0195	ADAPTER
51	2	BD-H-0196	ADAPTER
52	4	BD-H-0197	ADAPTER
53	1	BD-H-0198	ADAPTER
54	15	BD-H-0199	ADAPTER
55	3	BD-H-0200	ADAPTER
56	1	BD-H-0201	ADAPTER
57	2	BD-E-0001	PRESSURE TRANSDUCER
58	1	BD-H-0203	ADAPTER
59	2	BD-H-0204	HOSE CLAMP, LOW ALTITUDE
	2	BD-H-0456	HOSE CLAMP, HIGH ALTITUDE
60		HX-24	SUCTION HOSE, LOW ALTITUDE
		HX-32	SUCTION HOSE, HIGH ALTITUDE
61	1	BD-H-0206	SPLIT FLANGE, LOW ALTITUDE
	2	BD-H-0455	SPLIT FLANGE, HIGH ALTITUDE
62	1	BD-H-0207	HOSE ADAPTER 90°, LOW ALTITUDE
	2	BD-H-0144	HOSE ADAPTER 90°, HIGH ALTITUDE
63	8	BD-H-0208	DUST CAP
64	1	BD-H-0209	DUST CAP
65	9	BD-H-0210	DUST CAP
66	1	BD-H-0211	DUST CAP
67	1	BD-H-0212	QUICK COUPLER
68	1	BD-H-0213	QUICK COUPLER
69	4	BD-H-0214	QUICK COUPLER
70	4	BD-H-0215	QUICK COUPLER
71	3	BD-H-0216	QUICK COUPLER
72	1	BD-H-0217	QUICK COUPLER
73	1	BD-H-0218	QUICK COUPLER
74	1	BD-H-0219	ADAPTER
75	1	BD-H-0220	HOSE ADAPTER
76		BD-H-0636-E	REPLACEMENT PRESSURE FILTER ELEMENT
77		BD-H-0729-E	REPLACEMENT RETURN FILTER ELEMENT
78	1	BD-H-0110-002	FRONT RIGHT STRUT CYLINDER
79	1	BD-H-0110-001	FRONT LEFT STRUT CYLINDER
80		BD-H-0735	REPLACEMENT PF SOLENOID – VALVE ASSEMBLY
81	2	BD-H-0223	QUICK COUPLER
82	8	BD-H-0224	ADAPTER

B&D-WMH-D-HKIT, Hydraulic Hose Kit

Item	Qty	Part Number	Description
1	1	BD-H-0454	Hose Assembly
2	1	BD-H-0447	Hose Assembly
3	1	BD-H-0444	Hose Assembly
4	1	BD-H-0452	Hose Assembly
5	1	BD-H-0450	Hose Assembly
6	1	BD-H-0442	Hose Assembly
7	1	BD-H-0439	Hose Assembly
8	1	BD-H-0435	Hose Assembly
9	1	BD-H-0257	Hose Assembly
9A	1	BD-H-0250	Hose Assembly
10	1	BD-H-0251	Hose Assembly
10A	1	BD-H-0268	Hose Assembly
11	1	BD-H-0322	Hose Assembly
12	1	BD-H-0306	Hose Assembly
13	1	BD-H-0267	Hose Assembly
14	1	BD-H-0307	Hose Assembly
15	1	BD-H-0313	Hose Assembly
16	1	BD-H-0327	Hose Assembly
17	1	BD-H-0329	Hose Assembly
18	1	BD-H-0427	Hose Assembly
19	1	BD-H-0431	Hose Assembly
20	1	BD-H-0433	Hose Assembly
21	1	BD-H-0423	Hose Assembly
22	1	BD-H-0397	Hose Assembly
23	1	BD-H-0387	Hose Assembly
24	1	BD-H-0387	Hose Assembly
25	1	BD-H-0414	Hose Assembly
26	1	BD-H-0415	Hose Assembly
27	1	BD-H-0374	Hose Assembly
28	1	BD-H-0373	Hose Assembly
29	1	BD-H-0432	Hose Assembly
30	1	BD-H-0411	Hose Assembly
31	1	BD-H-0382	Hose Assembly
32	1	BD-H-0382	Hose Assembly
33	1	BD-H-0379	Hose Assembly
34	1	BD-H-0372	Hose Assembly
35	1	BD-H-0415	Hose Assembly
36	1	BD-H-0414	Hose Assembly
37	1	BD-H-0421	Hose Assembly
38	1	BD-H-0395	Hose Assembly
39	1	BD-H-0387	Hose Assembly
40	1	BD-H-0387	Hose Assembly
41	1	BD-H-0415	Hose Assembly
42	1	BD-H-0414	Hose Assembly
43	1	BD-H-0373	Hose Assembly
44	1	BD-H-0375	Hose Assembly
45	1	BD-H-0393	Hose Assembly
46	1	BD-H-0418	Hose Assembly
47	1	BD-H-0386	Hose Assembly



Item	Qty	Part Number	Description
48	1	BD-H-0417	Hose Assembly
49	1	BD-H-0416	Hose Assembly
49A	1	BD-H-0409	Hose Assembly
50	1	BD-H-0377	Hose Assembly
51	1	BD-H-0380	Hose Assembly
51A	1	BD-H-0403	Hose Assembly
52	1	BD-H-0362	Hose Assembly
53	1	BD-H-0416	Hose Assembly
53A	1	BD-H-0363	Hose Assembly
54	1	BD-H-0362	Hose Assembly
55	1	BD-H-0380	Hose Assembly
55A	1	BD-H-0364	Hose Assembly
56	1	BD-H-0377	Hose Assembly

Notes:

Hoses are identified as on previous parts pages